



A PERSPECTIVE VIEW
111 NTS



A LOCATION PLAN
112 NTS

TABLE OF CONTENTS

GENERAL	SCALE	SHEETS	GENERAL	SCALE	SHEETS	GENERAL	SCALE	SHEETS	GENERAL	SCALE	SHEETS
G-1 SCHEDULE OF QUANTITIES	NTS		GENERAL	1:8 MTS	12/29	GENERAL	1:8 MTS	12/29	GENERAL	1:8 MTS	12/29
ARCHITECTURAL			SPOT DETAIL-3	1:5 MTS	13/29	TYP. DETAIL FOR BEAM OR SLAB CHANGE SCOTT	NTS	17/29	SECOND FLOOR SEWER & VENT LAYOUT PLAN	1:100 MTS	24/29
A-1 PERSPECTIVE	NTS	1/29	TYPICAL CONNECTION DETAIL	1:50 MTS	8/29	TYP. DETAIL OF STIFFENER COLUMN & BEAM FOR MASONRY	1:100 MTS	18/29	THIRD FLOOR SEWER & VENT LAYOUT PLAN	1:100 MTS	27/29
A-2 TABLE OF CONTENTS	1:100 MTS		A-8 SCHEDULE OF GRILLS	1:25 MTS	9/29	ROOF FRAMING PLAN	1:100 MTS	19/29	GROUND FLOOR SEWER & VENT LAYOUT PLAN	1:100 MTS	
A-3 GROUND FLOOR PLAN	1:100 MTS	2/29	A-9 CAGE LADDER ELEVATION	1:50 MTS	10/29	FULL TRUSS-1 DETAIL	1:50 MTS		SECOND FLOOR SEWER & VENT LAYOUT PLAN	1:100 MTS	
A-4 SECOND FLOOR PLAN	1:100 MTS		CONNECTION DETAIL 1-3	1:8 MTS	11/29	CONNECTION DETAIL 1-4	1:100 MTS		THIRD FLOOR SEWER & VENT LAYOUT PLAN	1:100 MTS	
A-5 THIRD FLOOR PLAN	1:100 MTS		SPOT DET. SECT. OF RAMP FLOORING	1:10 MTS		GUSSET PLATE DETAIL	1:20 MTS		TYPES OF FIXTURE	NTS	
A-6 ROOF ELEVATION	1:100 MTS		A-10 PROJECT BILLBOARD DETAILS	1:50 MTS		DETAIL OF CONCRETE GUTTER	1:100 MTS		GROUND TO THIRD FLOOR WATER LINE LAYOUT PLAN	1:50 MTS	28/29
A-7 FRONT ELEVATION	1:100 MTS		STRUCTURAL	NTS		DETAIL OF CONCRETE DETAIL OF PURLINS	1:100 MTS		CATCH BASIN DETAIL	1:25 MTS	
REAR ELEVATION	1:100 MTS		S-1 GENERAL CONSTRUCTION NOTES-1	1:100 MTS	12/29	CROSS BRACING DETAIL	NTS		SPECIFICATIONS	1:50 MTS	
LEFT SIDE ELEVATION	1:100 MTS		S-2 GENERAL CONSTRUCTION NOTES-2	1:100 MTS	13/29	STEEL CLEATS DETAIL DETAIL OF SAGROD	NTS		SEWER LINE & VENT LAYOUT ISOMETRIC DIAGRAM	1:25 MTS	
CROSS SECTION THRU 'A-A'	1:100 MTS		S-3 FOUNDATION PLAN	1:100 MTS		ISOMETRIC VIEW CONNECTION SHOWING G.I. SHT., PURLINS & JOIST	NTS		STORM DRAINAGE LAYOUT ISOMETRIC DIAGRAM	1:100 MTS	
LONGITUDINAL SECTION THRU 'B-B'	1:100 MTS		SECOND FLOOR BEAM LAYOUT PLAN	1:100 MTS		SPICE DETAIL OF C-PURLINS	NTS		WATER CLOSET DETAIL	1:100 MTS	26/29
SCHEDULE OF FINISHES	1:100 MTS		THIRD FLOOR BEAM LAYOUT PLAN	1:100 MTS	14/29	ELECTRICAL			SEPTIC VALVE DETAIL	1:30 MTS	
GROUND FLOOR REFLECTED CEILING PLAN	1:100 MTS		SCHEDULE OF COLUMN	1:100 MTS		E-1 GROUND FLOOR LIGHTING & POWER LAYOUT PLAN	1:100 MTS	20/29	CLEAN OUT DETAIL	NTS	
SECOND FLOOR REFLECTED CEILING PLAN	1:100 MTS		2F BEAMS SCHEDULE	1:100 MTS		SECOND FLOOR LIGHTING & POWER LAYOUT PLAN	1:100 MTS		FLOOR DRAIN DETAIL	NTS	
THIRD FLOOR REFLECTED CEILING PLAN	1:100 MTS		ROOF BEAM LAYOUT PLAN	1:100 MTS		GROUND FLOOR ACQU OUTLET LAYOUT PLAN	1:100 MTS		PIPE JOINT DETAIL	NTS	
DETAIL OF METAL CEILING JOIST	NTS	4/29	SECOND FLOOR FRAMING LAYOUT PLAN	1:100 MTS		THIRD FLOOR ACQU OUTLET LAYOUT PLAN	1:100 MTS	21/29	MECHANICAL		
DETAIL OF METAL ANGLE @ WALL	NTS		THIRD FLOOR FRAMING LAYOUT PLAN	1:100 MTS		SERVICE ENTRANCE DETAIL	NTS		M-1 GROUND FLOOR ACQU LAYOUT PLAN	1:100 MTS	
SCHEDULE OF CEILING ARRANG	1:50 MTS		3F BEAMS SCHEDULE	1:100 MTS	15/29	EXHAUST FAN DETAIL LEGEND	NTS		GENERAL SPECIFICATIONS	NTS	28/29
SCHEDULE OF WINDOWS	1:50 MTS	5/29	TYPICAL COLUMN FOOTING DETAIL	1:20 MTS		ELECTRICAL NOTE, ILLUMINATION LEVEL COMPUTATION	NTS		FLOOR MOUNTED TYPE ACQU SPOT DETAIL	NTS	
TOILETS BLOWUP PLAN	1:50 MTS		WF-1 DETAIL	1:20 MTS		LOCATION PLAN, SITE DEVELOPMENT PLAN	NTS	22/29	AROUNDING EQUIPMENT SPECIFICATION	NTS	
TOILETS ROP BLOWUP PLAN	1:50 MTS		DETAIL OF 2BEAM-2 DETAIL OF 2BEAM-3	1:50 MTS		SINGLE LINE DIAGRAM	NTS		REFRIGERANT PIPE INSULATION DETAIL	NTS	
SECTION 'X' DETAIL	1:50 MTS	6/29	TYP. SLAB SECTION DETAIL	1:40 MTS	16/29	DESIGN ANALYSIS: SHORT CIRCUIT ANALYSIS & VOLTAGE DROP	NTS	23/29	PIPE THRU WALL DETAIL	NTS	29/29
SECTION 'B' DETAIL	1:50 MTS		PIPE CHASE BLOWUP DETAIL	1:20 MTS		PLUMBING			DRAIN PIPE INSULATION DETAIL	NTS	
SECTION 'C' DETAIL	1:50 MTS		TYPICAL SECTION OF MASONRY PARTITION REINF.	1:20 MTS		P-1 GROUND FLOOR SEWER & VENT LAYOUT PLAN	1:100 MTS				
STARCASE/RAMPING PLAN	1:50 MTS		CANTILEVER BEAM 1 & 2 DETAIL	1:15 MTS							
SPOT DETAIL-1	1:8 MTS	7/29									
SPOT DETAIL-2	1:8 MTS										

REPUBLIC OF THE PHILIPPINES
DEPARTMENT OF PUBLIC WORKS AND HIGHWAYS
 REGION IX
1ST DISTRICT ENGINEERING OFFICE
 SEGABE, PUNAN, ZAMBOANGA DEL NORTE

REPUBLIC OF THE PHILIPPINES
COMMISSION ON AUDIT
 REGION IX

PROJECT & LOCATION:
CONSTRUCTION OF A RENU BUILDING
DAPITAN CITY, ZAMBOANGA DEL NORTE

SHEET CONTENT:
 PERSPECTIVE
 LOCATION PLAN

ARCHITECTURAL DESIGN:
OSCAR R. SANCARES JR.
 ENGINEERING ASSISTANT II

CHECKED:
FERNANDO C. MIRA SOL
 ARCHITECT II

SUBMITTED:
EVA A. TRANI
 ENGINEER III
 CHIEF, PLANNING & DESIGN SECTION

RECOMMENDING APPROVAL:
GHIS OPIHER A. EBAL
 ASST. DISTRICT ENGINEER

APPROVED:
VERONICO G. MICARANDA
 DISTRICT ENGINEER

RECOMMENDING APPROVAL:
ATTY. MARISOL P. LEGASPI
 OIC-DIRECTOR IV
 REGIONAL DIRECTOR

RECOMMENDING APPROVAL:
AMELIA P. VALDEZ
 DIRECTOR IV
 GSO

APPROVED:
LORNA D. CABOCHANI
 ASSISTANT COMMISSIONER
 ADMINISTRATION SECTOR

SET NO.: **A**
 SHEET NO.: **1**
14 **299**

Republic Of The Philippines
 OFFICE OF THE MUNICIPAL
 ENGINEER/BUILDING OFFICIAL
 MUNICIPAL BUILDING OFFICIAL
LAND USE & ZONING

LINE & GRADE

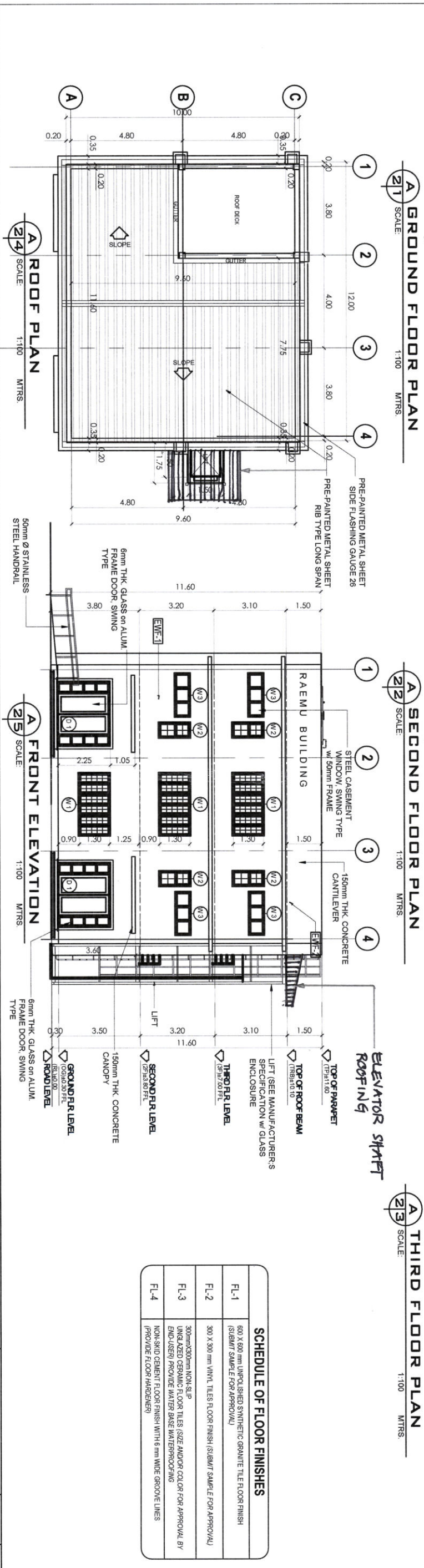
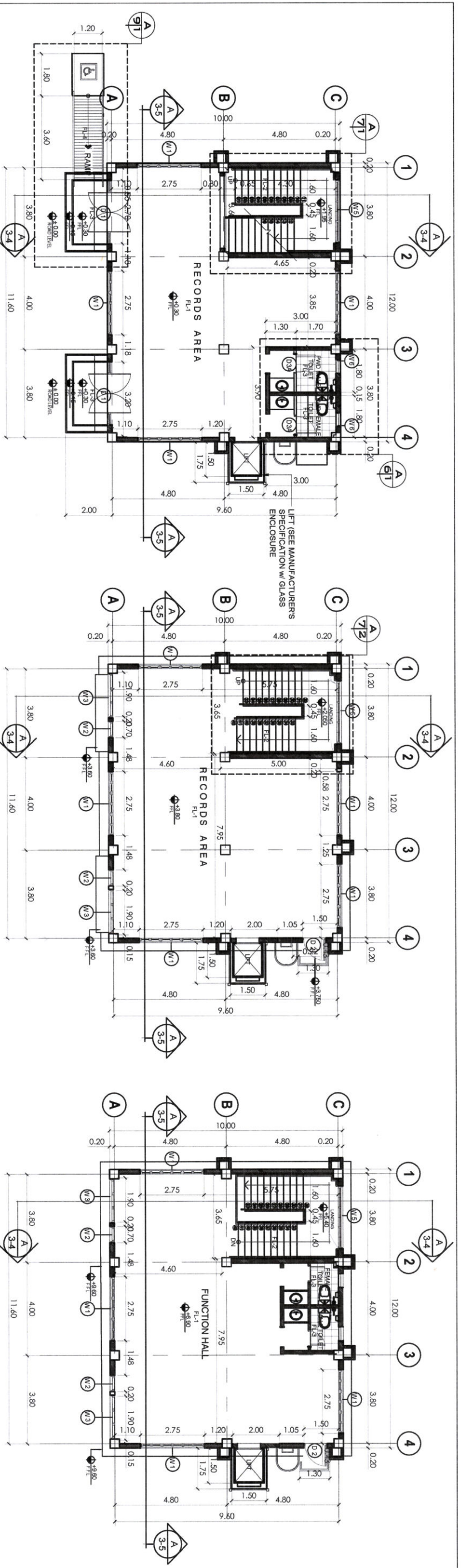
ARCHITECTURAL

STRUCTURAL

ELECTRICAL

SANITARY

MECHANICAL



SCHEDULE OF FLOOR FINISHES	
FL-1	600 X 600 mm UNPOLISHED SYNTHETIC GRANITE TILE FLOOR FINISH (SUBMIT SAMPLE FOR APPROVAL)
FL-2	300 X 300 mm VINYL TILES FLOOR FINISH (SUBMIT SAMPLE FOR APPROVAL)
FL-3	300mmx300mm NON-SLIP UNGLAZED CERAMIC FLOOR TILES (SIZE AND/OR COLOR FOR APPROVAL BY END-USER) PROVIDE WATER BASE WATERPROOFING
FL-4	NON-SLIP GRABT FLOOR FINISH WITH 6 mm WIDE GROOVE LINES (PROVIDE FLOOR HARDENER)

REPUBLIC OF THE PHILIPPINES
DEPARTMENT OF PUBLIC WORKS AND HIGHWAYS
REGION IX
1ST DISTRICT ENGINEERING OFFICE
SEGAPE, PINAN, ZAMBOANGA DEL NORTE

REPUBLIC OF THE PHILIPPINES
COMMISSION ON AUDIT
REGION IX

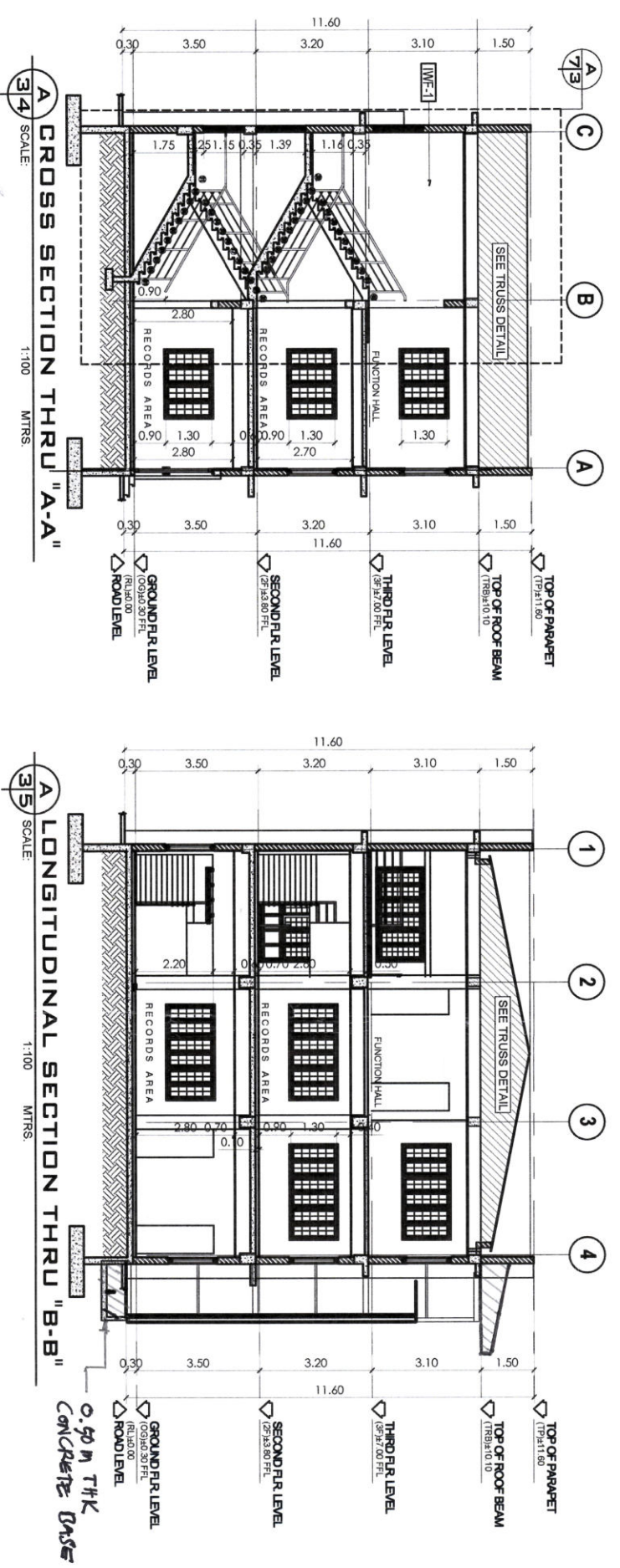
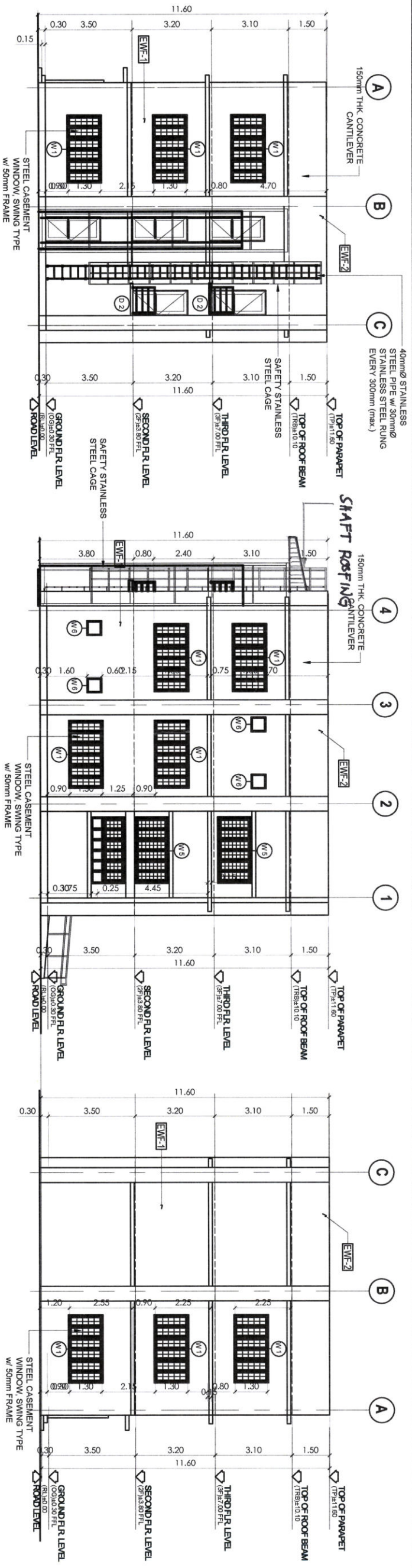
PROJECT & LOCATION: CONSTRUCTION OF A RAEMU BUILDING
DAPITAN CITY, ZAMBOANGA DEL NORTE

SHEET CONTENT: GROUND FLOOR PLAN, SECOND FLOOR PLAN, THIRD FLOOR PLAN, ROOF PLAN, FRONT ELEVATION, SCHEDULE OF FLOOR FINISH

ARCHITECTURAL DESIGN:	CHECKED:	SUBMITTED:	RECOMMENDED:
OSCAR B. ANAGRES JR. ENGINEERING ASSISTANT II	FERNANDO G. MIRAOL ARCHITECT II	EVA A. TRANI ENGINEER III CHIEF, PLANNING & DESIGN SECTION	CHRISTOPHER L. EBAL ASST. DISTRICT ENGINEER
		RECOMMENDING APPROVAL:	APPROVED:
		ATTY. MARISOL P. LEGASPI REGIONAL DIRECTOR	VERONICO O. MICALANDAYO DISTRICT ENGINEER
		AMELIA P. VALDEZ DIRECTOR IV	LORNA D. CABOCHAN ASSISTANT COMMISSIONER ADMINISTRATION SECTION

SET NO: A

SHEET NO: 2



SCHEDULE OF WALL FINISHES:

MARK	WALL DESCRIPTION
EW - 1	100mm THK. GROUND FLOOR AND SECOND FLOOR CHB EXTERIOR WALL WITH PLAIN CEMENT PLASTER WATER BASE PAINTED FINISH (SUBMIT COLOR SCHEMES FOR APPROVAL)
EW - 2	100 mm THK. RC PARAPET WITH PLAIN CEMENT PLASTER PAINTED FINISH (SUBMIT COLOR SCHEMES FOR APPROVAL)
WF - 1	100mm THK. GROUND FLOOR AND SECOND FLOOR CHB INTERIOR WALL WITH PLAIN CEMENT PLASTER WATER BASE PAINTED FINISH (SUBMIT COLOR SCHEMES FOR APPROVAL)
WF - 2	300 X 300 mm WIRIPIED GLAZED WALL TILE FINISH (COLOR FOR APPROVAL BY THE END USER) TYPICAL ON ALL TOILET WALLS

DEPARTMENT OF PUBLIC WORKS AND HIGHWAYS
REGION IX
SEGABE PINAR, ZAMBOANGA DEL NORTE

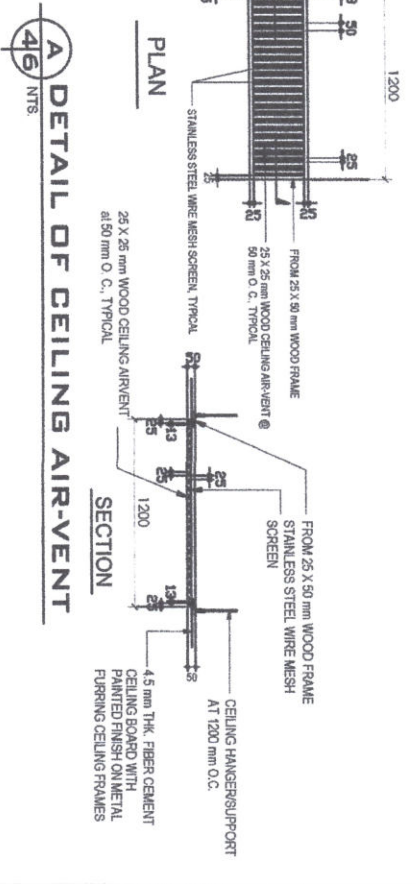
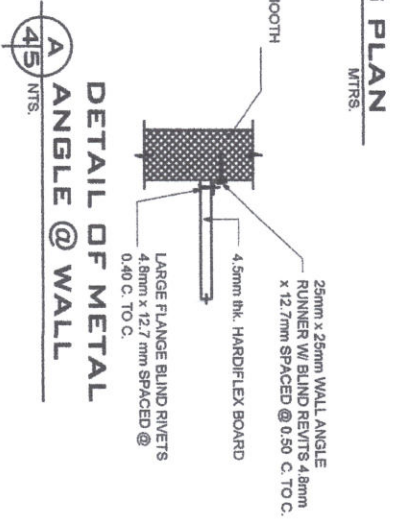
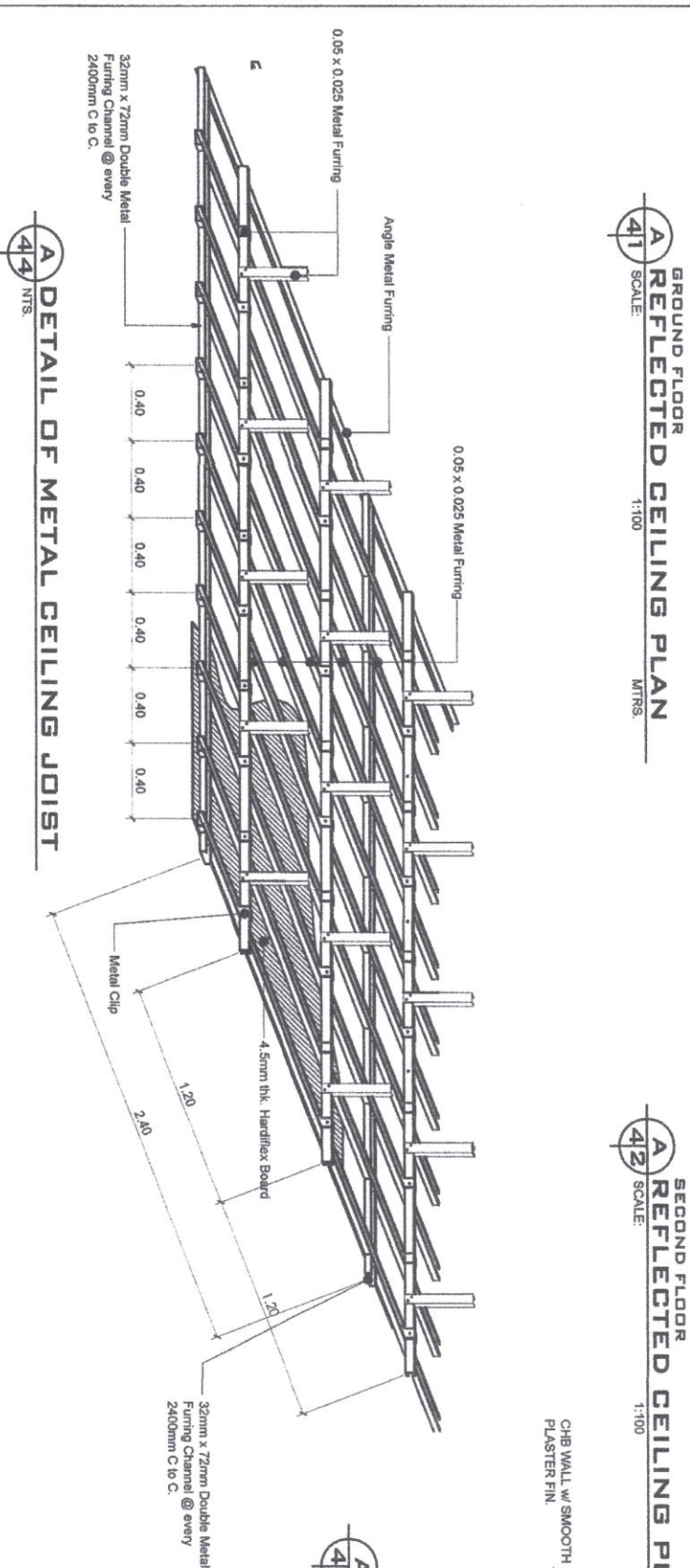
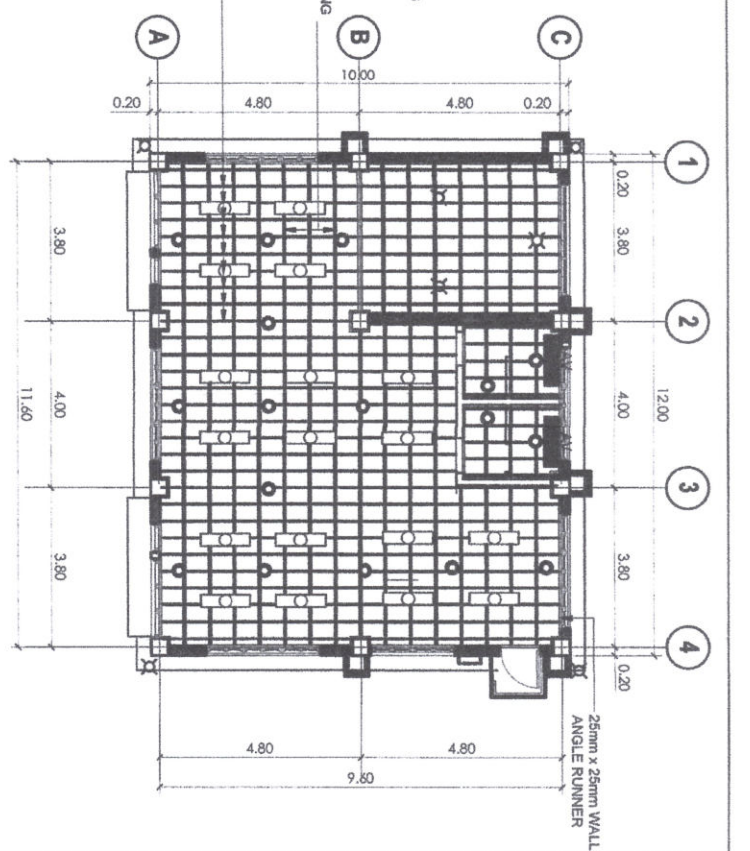
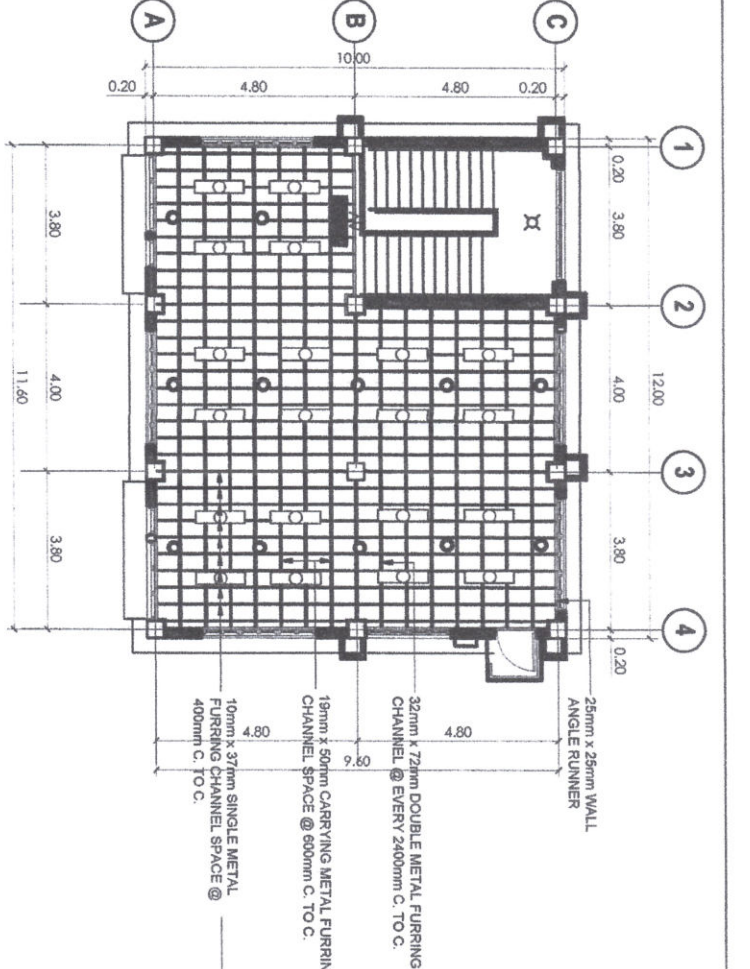
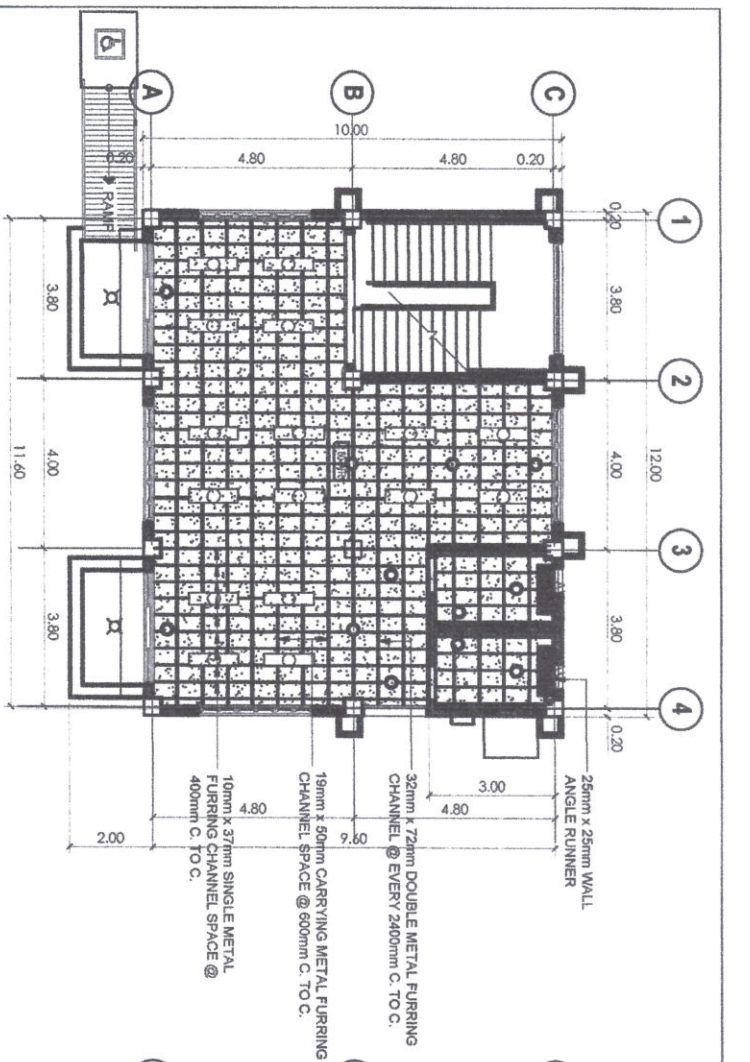
REPUBLIC OF THE PHILIPPINES
COMMISSION ON AUDIT
REGION IX

PROJECT & LOCATION: CONSTRUCTION OF A RAEMU BUILDING
DARTAN CITY, ZAMBOANGA DEL NORTE

SHEET CONTENT: RIGHT SIDE ELEVATION
REAR SIDE ELEVATION
LEFT SIDE ELEVATION
CROSS SECTION THRU 'A-A'
LONGITUDINAL SECTION THRU 'B-B'
SCHEDULE OF WALL FINISHES

ARCHITECTURAL DESIGN:	CHECKED:	SUBMITTED:	RECOMMENDED:
OSCAR B. SIBAYES JR. ENGINEERING ASSISTANT II	FERNANDO C. MIRASOL ARCHITECT II	EVA A. TRANI ENGINEER III CHIEF, PLANNING & DESIGN SECTION	CHRISTOPHER L. EBAL ASST. DISTRICT ENGINEER
		RECOMMENDING APPROVAL:	APPROVED:
		ATTY. MARISSOL B. LEGASPI OIC-DIRECTOR IV REGIONAL DIRECTOR	VERONICO C. MICARANDAYO DISTRICT ENGINEER
		AMELIA P. VALDEZ DIRECTOR IV GSO	LORNA D. CABOCHAN ASSISTANT COMMISSIONER ADMINISTRATION SECTION

SET NO: A 315
SHEET NO: 3 29C



<p>DEPARTMENT OF PUBLIC WORKS AND HIGHWAYS REGION IX 1ST DISTRICT ENGINEERING OFFICE SEGADE, PINAN, ZAMBOANGA DEL NORTE</p>	PROJECT & LOCATION:		SHEET CONTENT:		<p>ARCHITECTURAL DESIGN: OSCAR B. SACARES JR. ENGINEERING ASSISTANT II</p> <p>CHECKED: FERNANDO C. AMBASOR ARCHITECT II</p>	<p>SUBMITTED: EVA A. TRANI ENGINEER III CHIEF, PLANNING & DESIGN SECTION</p>	<p>RECOMMENDED: CHRISTOPHER EBAL ASST. DISTRICT ENGINEER</p>	<p>APPROVED: VERONICA M. MEGARANDAYO DISTRICT ENGINEER</p>	<p>SET NO.: A 214</p>	<p>SHEET NO.: 4 29</p>
	CONSTRUCTION OF A RAEMU BUILDING DAPITAN CITY, ZAMBOANGA DEL NORTE		<p>GROUND FLOOR REFLECTED CEILING PLAN SECOND FLOOR REFLECTED CEILING PLAN THIRD FLOOR REFLECTED CEILING PLAN DETAIL OF METAL CEILING JOIST DETAIL OF METAL ANGLE @ WALL DETAIL OF CEILING AIR-VENT LEGEND</p>							



REPUBLIC OF THE PHILIPPINES
COMMISSION ON AUDIT
REGION IX

SCHEDULE OF WINDOWS

ARCH INTERIOR	W-01 (1) SETS	GROUND, 2ND & 3RD FLOOR AREA	ARCH INTERIOR	W-02 (2) SETS	2ND & 3RD FLOOR - RECORDS & FUNCTION HALL AREA	ARCH INTERIOR	W-03 (2) SETS	2ND & 3RD FLOOR - RECORDS & FUNCTION HALL AREA	ARCH INTERIOR	W-04 (2) SETS	GROUND 2ND & 3RD FLOOR AREA	ARCH INTERIOR	W-05 (1) SET	STAIR WINDOW	ARCH INTERIOR	W-06 (4) SETS	GROUND & 3RD FLOOR MEN'S AND WOMEN'S TOILET
	13			4			4			DELETED			DELETED				

ARCH INTERIOR	D-01 (2) SETS	GROUND LEVEL - MAIN ENTRANCE	ARCH INTERIOR	D-02 (2) SETS	2ND & 3RD FLOOR LEVEL - RECORDS & FUNCTION HALL AREA	ARCH INTERIOR	D-03A (2) SETS	GROUND FLR. LEVEL - FWD MALE AND FEMALE TOILET	ARCH INTERIOR	D-03 (2) SETS	3RD FLR. LEVEL - MALE AND FEMALE TOILET

SCHEDULE OF DOORS

ARCH INTERIOR	D-01 (2) SETS	GROUND LEVEL - MAIN ENTRANCE	ARCH INTERIOR	D-02 (2) SETS	2ND & 3RD FLOOR LEVEL - RECORDS & FUNCTION HALL AREA	ARCH INTERIOR	D-03A (2) SETS	GROUND FLR. LEVEL - FWD MALE AND FEMALE TOILET	ARCH INTERIOR	D-03 (2) SETS	3RD FLR. LEVEL - MALE AND FEMALE TOILET

ARCH INTERIOR	D-01 (2) SETS	GROUND LEVEL - MAIN ENTRANCE	ARCH INTERIOR	D-02 (2) SETS	2ND & 3RD FLOOR LEVEL - RECORDS & FUNCTION HALL AREA	ARCH INTERIOR	D-03A (2) SETS	GROUND FLR. LEVEL - FWD MALE AND FEMALE TOILET	ARCH INTERIOR	D-03 (2) SETS	3RD FLR. LEVEL - MALE AND FEMALE TOILET

DEPARTMENT OF PUBLIC WORKS AND HIGHWAYS
 REGION IX
1ST DISTRICT ENGINEERING OFFICE
 SEGABE, PANAN, ZAMBOANGA DEL NORTE

REPUBLIC OF THE PHILIPPINES
COMMISSION ON AUDIT
 REGION IX

PROJECT & LOCATION :
 CONSTRUCTION OF A RAEMU BUILDING
 DAPAN CRT, ZAMBOANGA DEL NORTE

SHEET CONTENT :
 SCHEDULE OF WINDOWS
 SCHEDULE OF DOORS

ARCHITECTURAL DESIGN:
 OSCAR R. SANCAR JR.
 ENGINEERING ASSISTANT II

CHECKED:
 FERNANDO C. MIRASOL
 ARCHITECT II

SUBMITTED:
 EVA A. FRANI
 ENGINEER III
 CHIEF, PLANNING & DESIGN SECTION

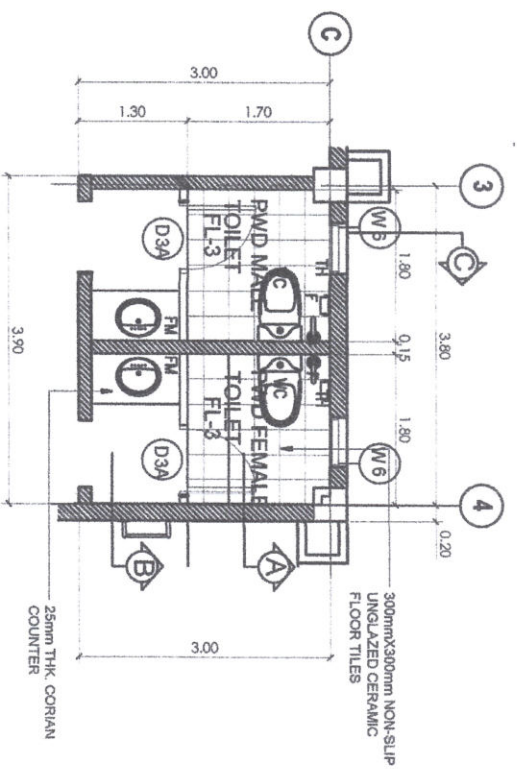
RECOMMENDED:
 CHRISTOPHER L. SBA
 ASST. DISTRICT ENGINEER

APPROVED:
 VERONICO M. CARABANDA
 DISTRICT ENGINEER

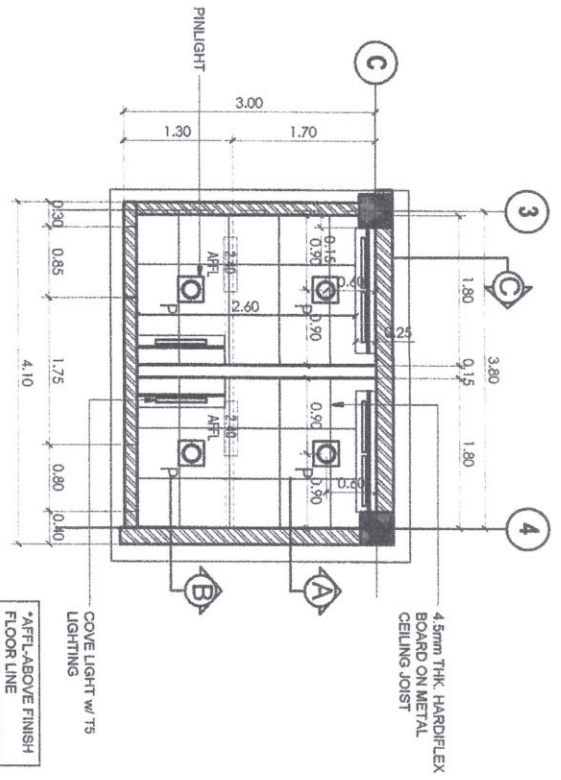
RECOMMENDING APPROVAL:
 ATTY. MARISOL D. LEGASPI
 OIC-DIRECTOR IV
 REGIONAL DIRECTOR

RECOMMENDING APPROVAL:
 AMELIA P. VALDEZ
 DIRECTOR IV
 GSO

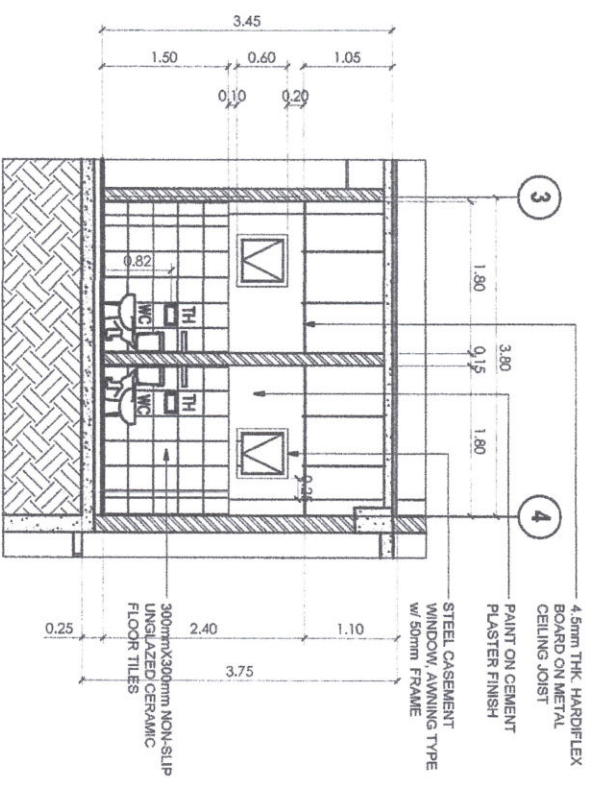
APPROVED:
 LORNA D. CABOCHANI
 ASSISTANT COMMISSIONER
 ADMINISTRATION SECTION



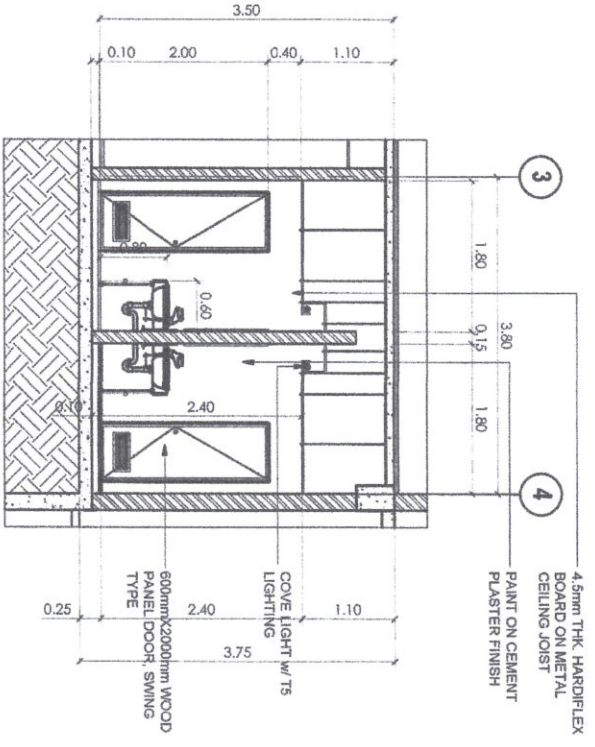
61 **A** TOILET'S BLOW-UP PLAN
SCALE: 1:50 MTRS.



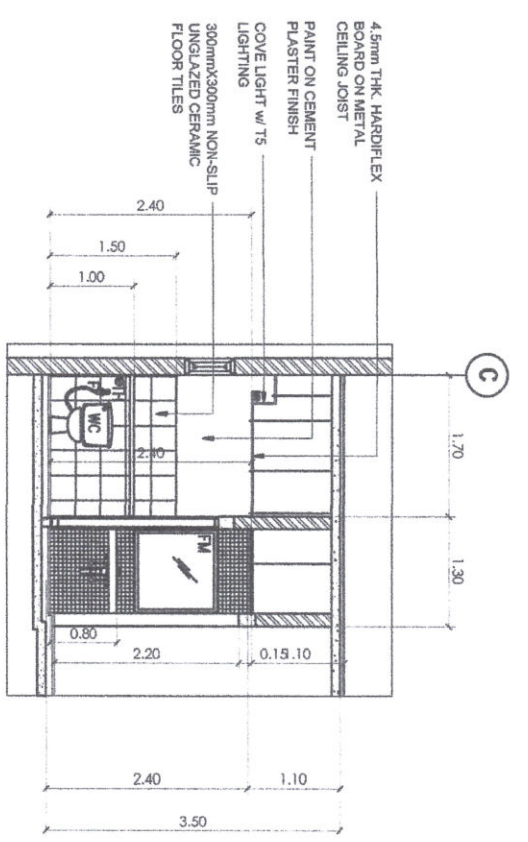
62 **A** TOILET'S RCP BLOW-UP PLAN
SCALE: 1:50 MTRS.





63 **A** SECTION "A" DETAIL
SCALE: 1:50 MTRS.

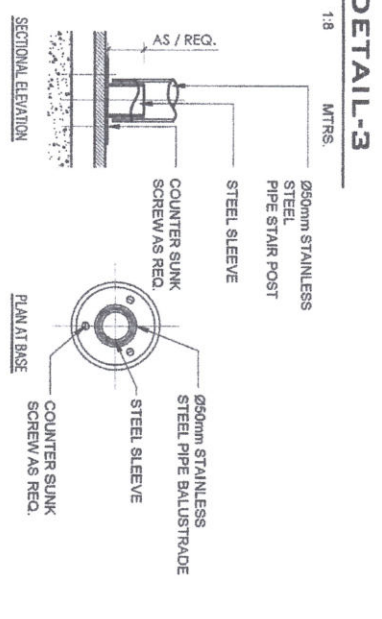
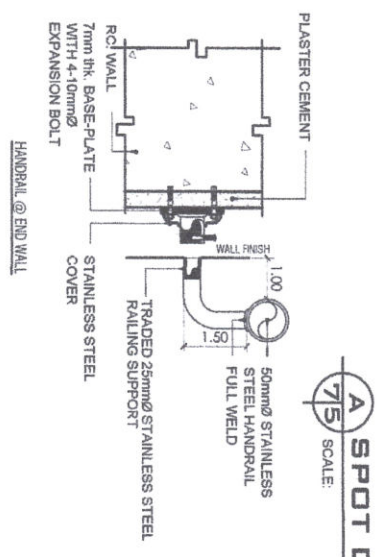
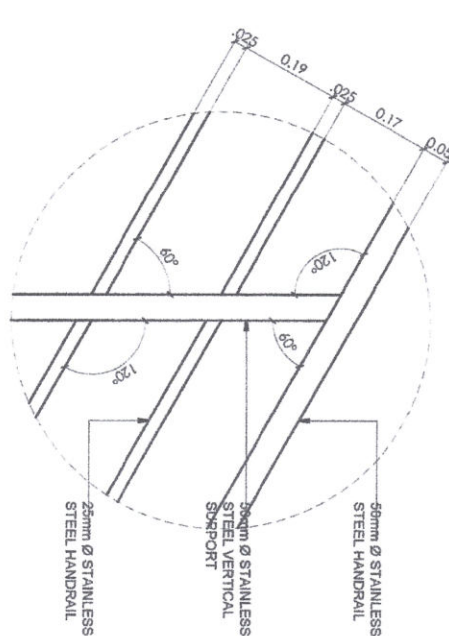
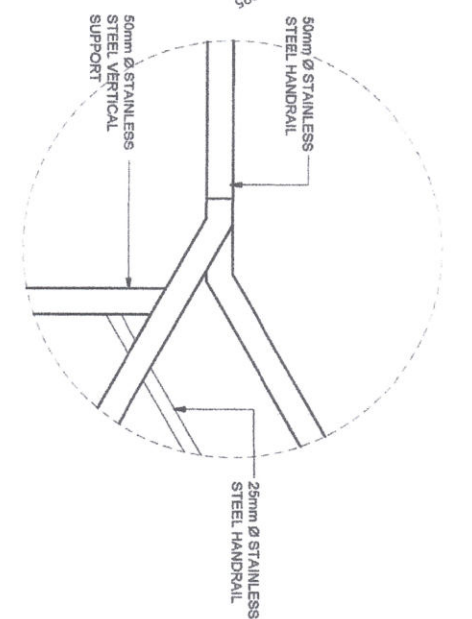
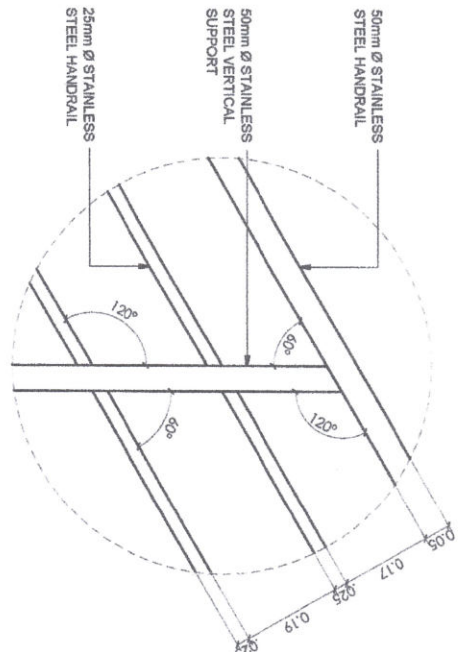
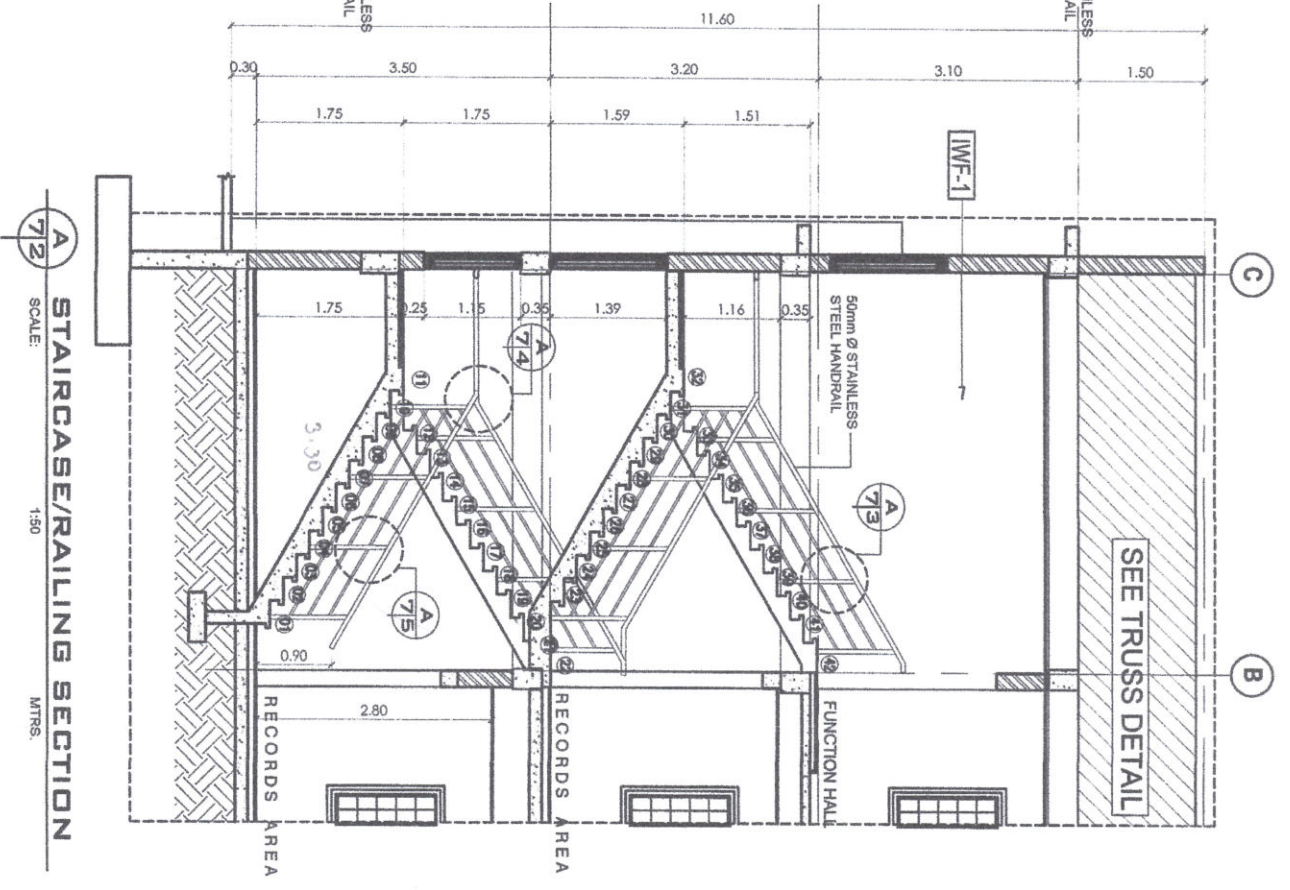
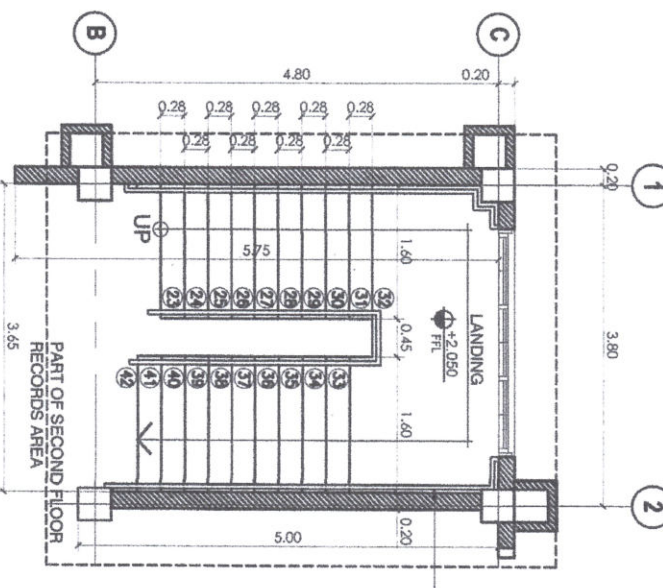
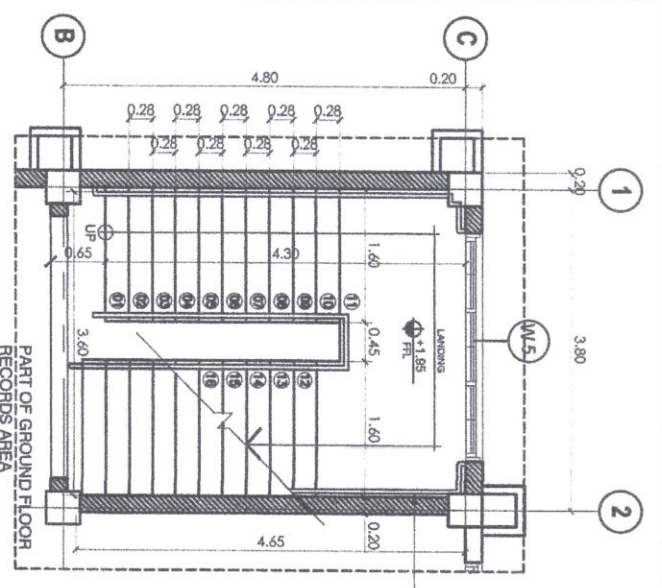


64 **A** SECTION "B" DETAIL
SCALE: 1:50 MTRS.



65 **A** SECTION "C" DETAIL
SCALE: 1:50 MTRS.

 <p>REPUBLIC OF THE PHILIPPINES DEPARTMENT OF PUBLIC WORKS AND HIGHWAYS REGION IX 1ST DISTRICT ENGINEERING OFFICE SEGABE, PIRAN, ZAMBONGA DEL NORTE</p>		<p>PROJECT & LOCATION:</p> <p>CONSTRUCTION OF A RAEMU BUILDING DARPAI CITY, ZAMBONGA DEL NORTE</p>		<p>SHEET CONTENT:</p> <p>TOILET'S BLOW-UP PLAN TOILET'S RCP BLOW-UP PLAN SECTION "A" DETAIL SECTION "B" DETAIL SECTION "C" DETAIL</p>		<p>ARCHITECTURAL DESIGN:</p> <p>OSCAR R. SALARES JR. ENGINEERING ASSISTANT II</p>		<p>CHECKED:</p> <p>FERNANDO C. MINGASOL ARCHITECT II</p>		<p>SUBMITTED:</p> <p>EVAJA TRANI ENGINEER III CHIEF, PLANNING & DESIGN SECTION RECOMMENDING APPROVAL:</p>		<p>RECOMMENDED:</p> <p>CHRISTOPHER L. BAK ASST. DISTRICT ENGINEER RECOMMENDING APPROVAL:</p>		<p>APPROVED:</p> <p>VERONICO O. MICALANDAYO DISTRICT ENGINEER APPROVED:</p>		<p>SET NO.:</p> <p>615</p>	<p>SHEET NO.:</p> <p>6 29</p>
 <p>REPUBLIC OF THE PHILIPPINES COMMISSION ON AUDIT REGION IX</p>																	



A STAIRCASE/RAILING PLAN
SCALE: 1:50
MTRS.

A STAIRCASE/RAILING SECTION
SCALE: 1:50
MTRS.

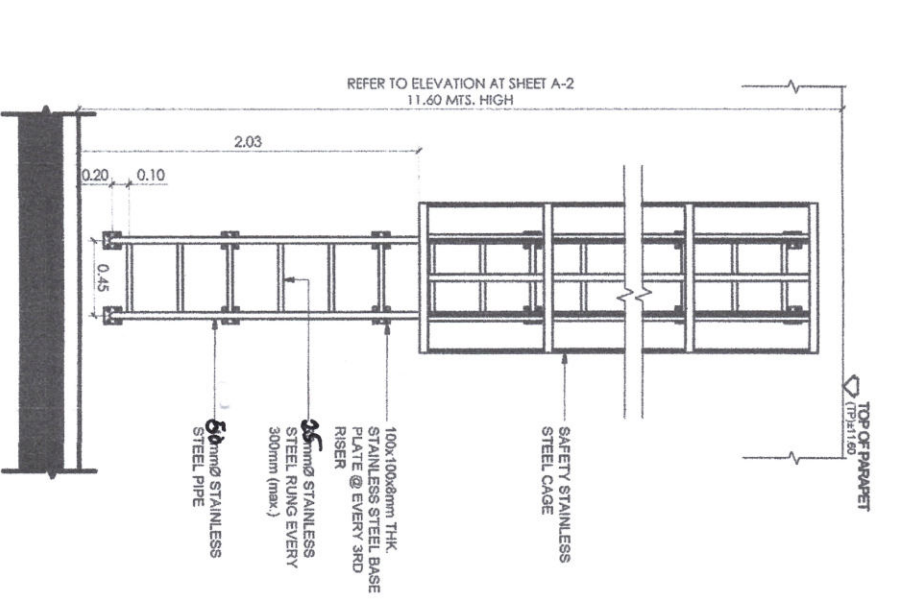
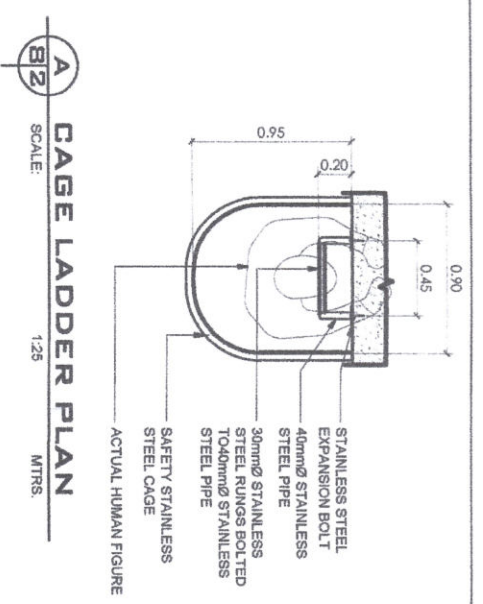
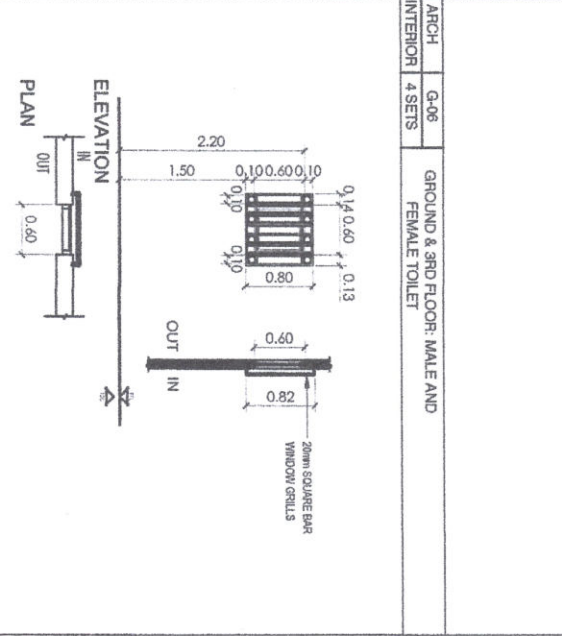
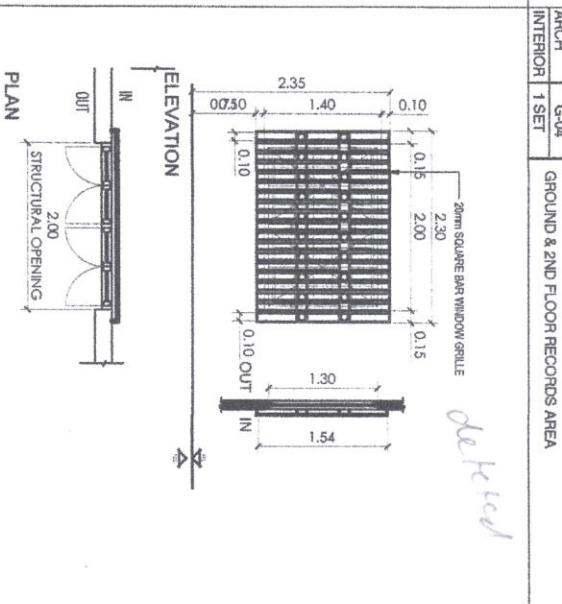
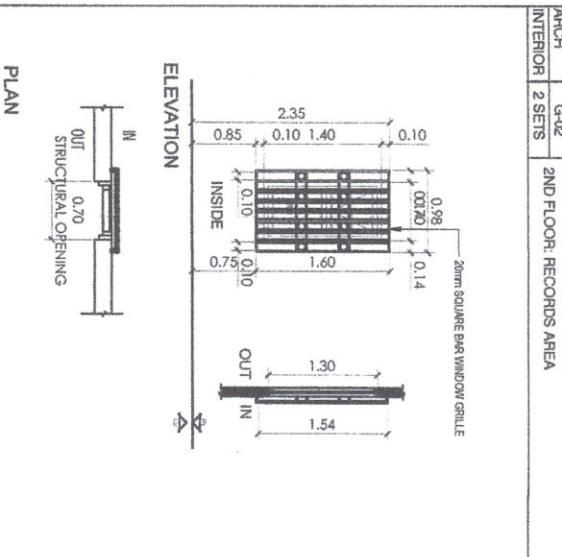
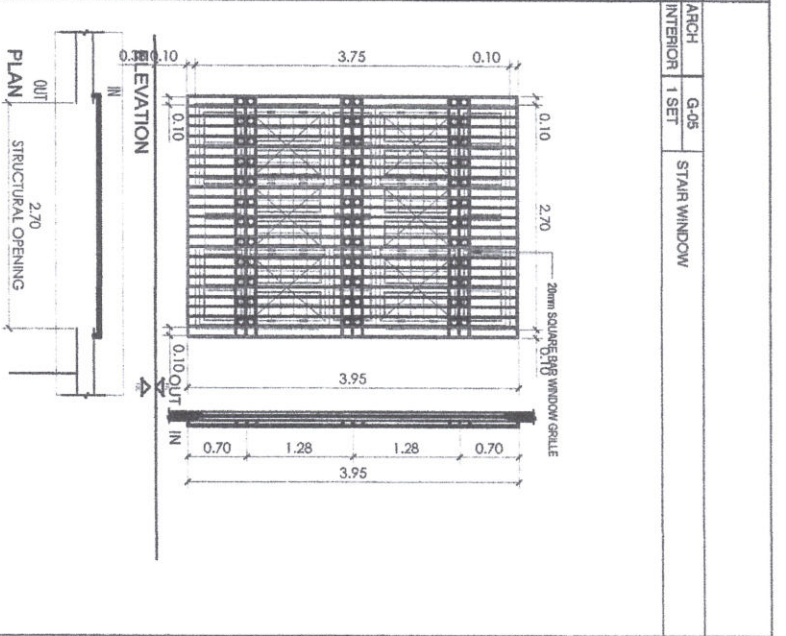
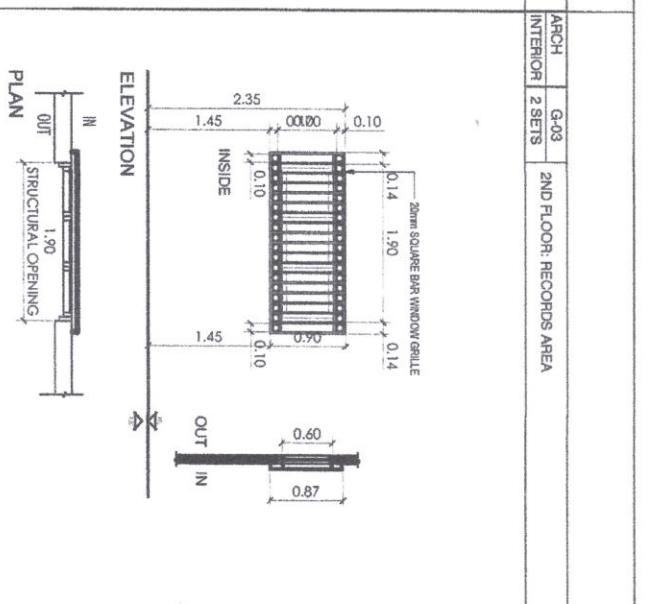
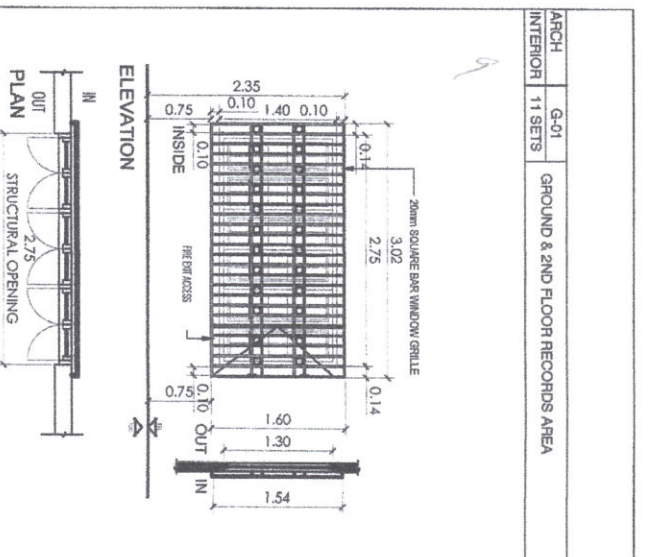
A SPOT DETAIL-1
SCALE: 1:8
MTRS.

A SPOT DETAIL-2
SCALE: 1:8
MTRS.

A SPOT DETAIL-3
SCALE: 1:8
MTRS.

A TYP. CONNECTION DETAIL
SCALE: 1:5
MTRS.

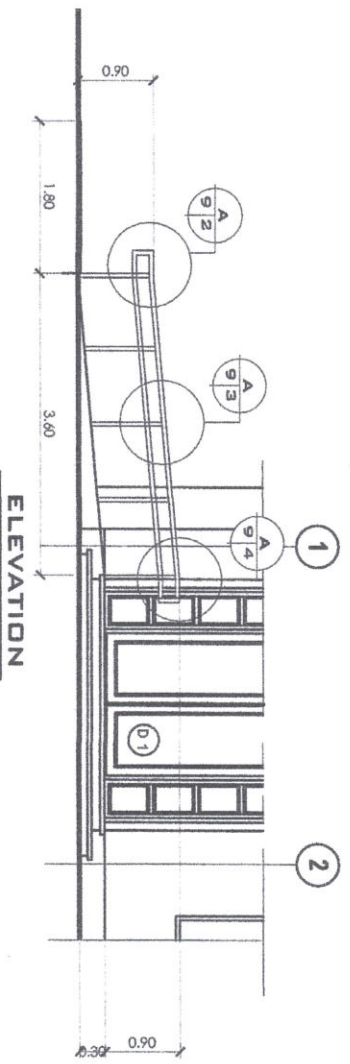
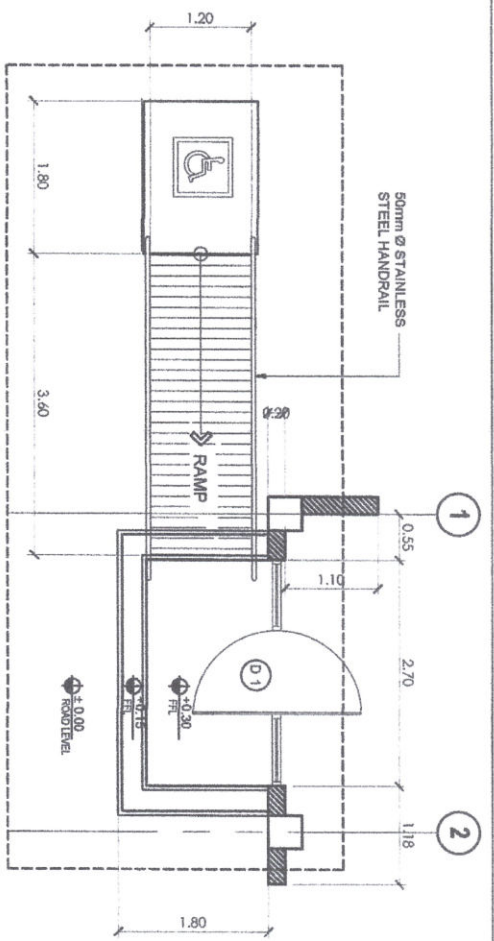
<p>REPUBLIC OF THE PHILIPPINES DEPARTMENT OF PUBLIC WORKS AND HIGHWAYS REGION IX 1ST DISTRICT ENGINEERING OFFICE SEGADE, PUNAN, ZAMBOANGA DEL NORTE</p>		<p>PROJECT & LOCATION:</p> <p>CONSTRUCTION OF A RAEMU BUILDING DAPITAN CITY, ZAMBOANGA DEL NORTE</p>		<p>SHEET CONTENT:</p> <p>STAIRCASE/RAILING PLAN STAIRCASE/RAILING SECTION SPOT DETAIL-1 SPOT DETAIL-2 SPOT DETAIL-3 TYPICAL CONNECTION DETAIL</p>		<p>ARCHITECTURAL DESIGN:</p> <p>OSCAR F. SANCARIS JR. ENGINEERING ASSISTANT II</p>		<p>CHECKED:</p> <p>FERNANDO C. MIRASOL ARCHITECT II</p>		<p>SUBMITTED:</p> <p>EVA A. TRANI ENGINEER III CHIEF, PLANNING & DESIGN SECTION</p>		<p>RECOMMENDED:</p> <p>CHRIS TOPHER L. EBAL ASST. DISTRICT ENGINEER</p>		<p>APPROVED:</p> <p>VERONICO M. MICALANDAYO DISTRICT ENGINEER</p>		<p>SET NO:</p> <p>A</p>	<p>SHEET NO:</p> <p>7</p>
<p>REPUBLIC OF THE PHILIPPINES COMMISSION ON AUDIT REGION IX</p>		<p>ARCHITECTURAL DESIGN:</p> <p>OSCAR F. SANCARIS JR. ENGINEERING ASSISTANT II</p>		<p>CHECKED:</p> <p>FERNANDO C. MIRASOL ARCHITECT II</p>		<p>SUBMITTED:</p> <p>EVA A. TRANI ENGINEER III CHIEF, PLANNING & DESIGN SECTION</p>		<p>RECOMMENDED:</p> <p>CHRIS TOPHER L. EBAL ASST. DISTRICT ENGINEER</p>		<p>APPROVED:</p> <p>VERONICO M. MICALANDAYO DISTRICT ENGINEER</p>		<p>SET NO:</p> <p>A</p>	<p>SHEET NO:</p> <p>7</p>				



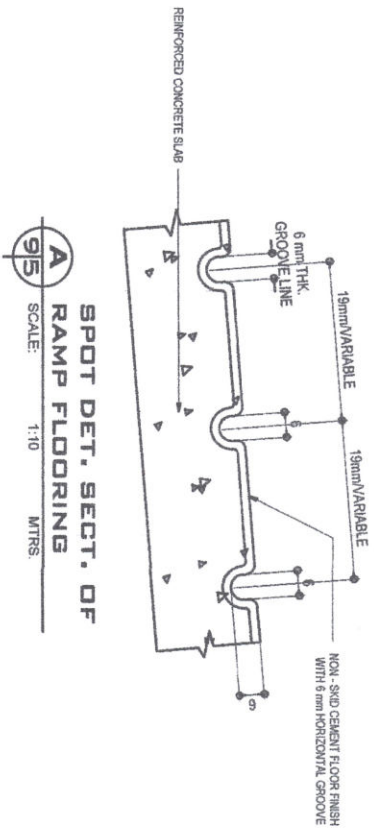
A
SCHEDULE OF GRILLS
SCALE: 1:50
MTRS.

A
CAGE LADDER ELEVATION
SCALE: 1:25
MTRS.

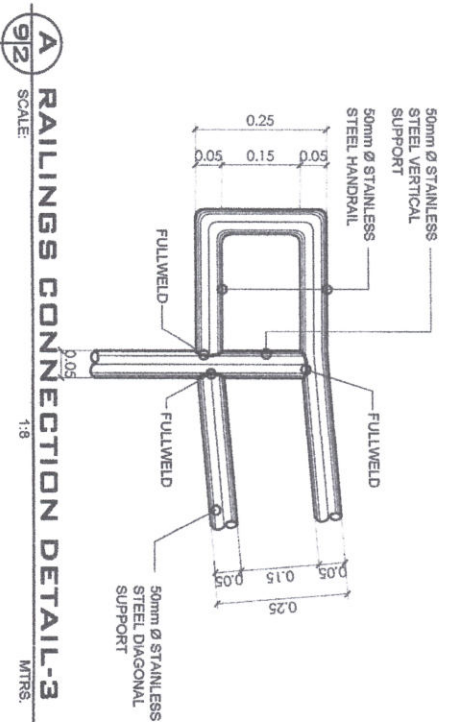
<p>REPUBLIC OF THE PHILIPPINES DEPARTMENT OF PUBLIC WORKS AND HIGHWAYS REGION IX 1ST DISTRICT ENGINEERING OFFICE SEGEBE, PINAR, ZAMBOANGA DEL NORTE</p>		<p>PROJECT & LOCATION:</p> <p>CONSTRUCTION OF A RAEMU BUILDING DAPITAN CITY, ZAMBOANGA DEL NORTE</p>		<p>SHEET CONTENT:</p> <p>SCHEDULE OF GRILLS CAGE LADDER PLAN CAGE LADDER ELEVATION</p>		<p>ARCHITECTURAL DESIGN:</p> <p>OSCAR M. MACARES JR. ENGINEERING ASSISTANT B</p>		<p>APPROVED:</p> <p>FELIXIANO C. MFRASOL ARCHITECT</p>		<p>SUBMITTED:</p> <p>EVA A. TRANI ENGINEER III CHIEF, PLANNING & DESIGN SECTION</p>		<p>RECOMMENDED:</p> <p>CHRISTOPHER E. BAL ASST. DISTRICT ENGINEER</p>		<p>APPROVED:</p> <p>VERONICO O. MCGARANDAYO DISTRICT ENGINEER</p>		<p>SET NO.: A 83</p>		<p>SHEET NO.: 8 29</p>	
<p>REPUBLIC OF THE PHILIPPINES COMMISSION ON AUDIT REGION IX</p>		<p>ARCHITECTURAL DESIGN:</p> <p>OSCAR M. MACARES JR. ENGINEERING ASSISTANT B</p>		<p>APPROVED:</p> <p>FELIXIANO C. MFRASOL ARCHITECT</p>		<p>SUBMITTED:</p> <p>EVA A. TRANI ENGINEER III CHIEF, PLANNING & DESIGN SECTION</p>		<p>RECOMMENDED:</p> <p>CHRISTOPHER E. BAL ASST. DISTRICT ENGINEER</p>		<p>APPROVED:</p> <p>VERONICO O. MCGARANDAYO DISTRICT ENGINEER</p>		<p>SET NO.: A 83</p>		<p>SHEET NO.: 8 29</p>					



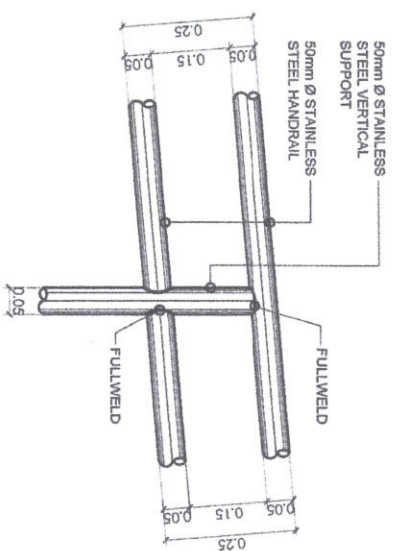
A RAMP/RAILINGS DETAIL
SCALE: 1:50
MTRS.



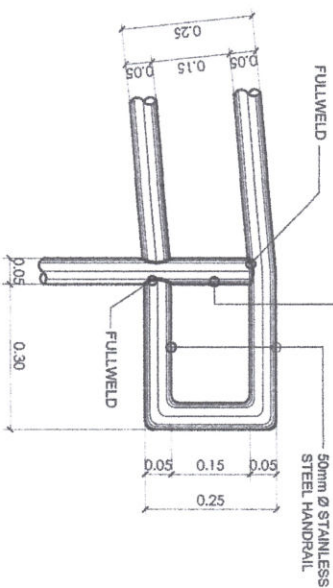
A SPOT DET. SECT. OF RAMP FLOORING
SCALE: 1:10
MTRS.





A RAILINGS CONNECTION DETAIL-3
SCALE: 1:8
MTRS.



A RAILINGS CONNECTION DETAIL-3
SCALE: 1:8
MTRS.



A RAILINGS CONNECTION DETAIL-3
SCALE: 1:8
MTRS.

 DEPARTMENT OF PUBLIC WORKS AND HIGHWAYS REGION IX 1ST DISTRICT ENGINEERING OFFICE SEGABE, PIKAN, ZAMBOANGA DEL NORTE		PROJECT & LOCATION: CONSTRUCTION OF A RAEMU BUILDING DAPIAN CITY, ZAMBOANGA DEL NORTE		SHEET CONTENT: RAMP/RAILINGS DETAIL CONNECTION DETAIL 1-3 SPOT DET. SECT. OF RAMP FLOORING		ARCHITECTURAL DESIGN: OSCAR ALBACARES JR. ENGINEERING ASSISTANT II		CHECKED: FERNANDO C. ANTONIO ARCHITECT II		SUBMITTED: EVA A. TRANI ENGINEER III CHIEF, PLANNING & DESIGN SECTION		RECOMMENDED: CHRISTOPHER L. EBAN ASST. DISTRICT ENGINEER		APPROVED: VERONICA S. INCARANDAYO DISTRICT ENGINEER		SET NO.: A 915	SHEET NO.: 9 29
 REPUBLIC OF THE PHILIPPINES COMMISSION ON AUDIT REGION IX		CONSTRUCTION OF A RAEMU BUILDING DAPIAN CITY, ZAMBOANGA DEL NORTE		RAMP/RAILINGS DETAIL CONNECTION DETAIL 1-3 SPOT DET. SECT. OF RAMP FLOORING		ENGINEERING ASSISTANT II		ARCHITECT II		ENGINEER III CHIEF, PLANNING & DESIGN SECTION		ASST. DISTRICT ENGINEER		DISTRICT ENGINEER		A 915	9 29