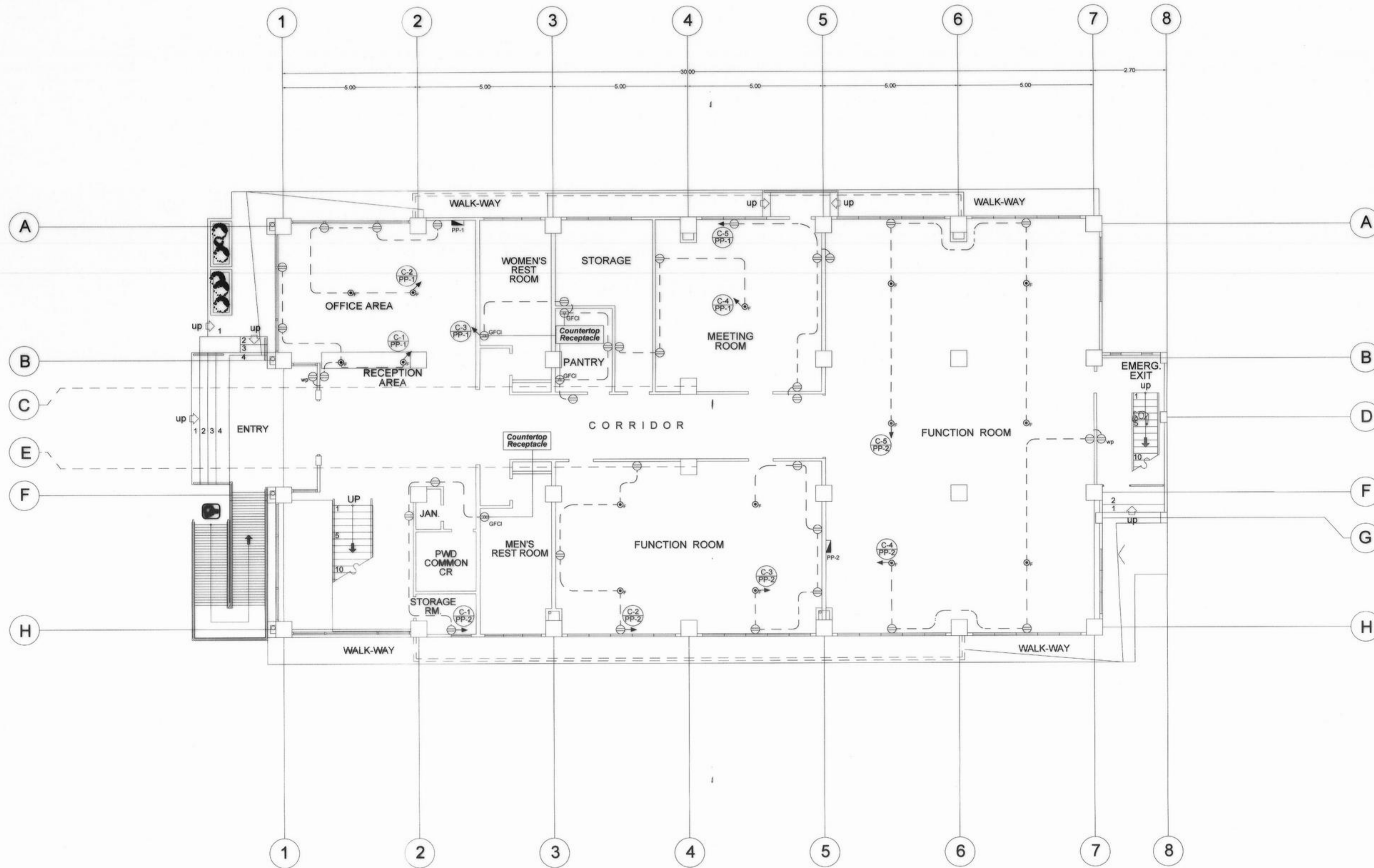


ROOF DECK LIGHTING LAYOUT
SCALE 1:100 MTS

NOTES:

- ALL WORKS DESCRIBED HEREIN SHALL BE EXECUTED IN ACCORDANCE TO THE LATEST PHILIPPINE ELECTRICAL CODE AND APPLICABLE LAWS, ORDINANCES, RULES AND REGULATIONS.
- ALL LIGHTING FIXTURES COMES WITH SPECIFIC DISTANCE FOR EVERY FLOOR AS TO PROPER DISTRIBUTION OF ILLUMINATION;
- ALL LIGHTS FROM WALLS AND WINDOWS SHALL HAVE A DISTANCE OF 0.60 METERS AWAY, SEE PLAN FOR OTHER DETAILS OF DISTANCES FOR EVERY LIGHTS

<p>REPUBLIC OF THE PHILIPPINES COMMISSION ON AUDIT REGIONAL OFFICE NO. IX CABATANGAN, ZAMBOANGA CITY</p>	RECOMMENDING APPROVAL :		APPROVED (BY THE AUTHORITY OF THE CHAIRPERSON) :						
	<p>VISITACION Q. MENDOZA DIRECTOR IV - REGIONAL DIRECTOR</p>		<p>AMELIA P. VALDEZ DIRECTOR IV - GENERAL SERVICES OFFICE</p>			<p>LORNA D. CABOCHAN ASSISTANT COMMISSIONER - ADMINISTRATION SECTOR</p>			
<p>REPUBLIC OF THE PHILIPPINES DEPARTMENT OF PUBLIC WORKS AND HIGHWAYS REGIONAL OFFICE IX VETERANS EXTENSION AVE., TETUAN, ZAMBOANGA CITY</p>	PROJECT & LOCATION:	SHEET CONTENT:	PREPARED:	REVIEWED:	SUBMITTED:	RECOMMENDED:	APPROVED:	SET NO.	SHEET NO.:
	<p>COA REGIONAL OFFICE NO. IX TRAINING CENTER AND DORMITORY BUILDING CABATANGAN, ZAMBOANGA CITY</p>	ROOF DECK LIGHTING LAYOUT	<p>JOCELYN T. BRUCES ENGINEER II REGISTERED ELECTRICAL ENGINEER DATE: NOVEMBER 2016</p>	<p>PIO MARIO T. LACASTESANTOS ENGINEER II CHIEF, BRIDGE & OTHER PUBLIC WORKS DESIGN SECTION DATE:</p>	<p>SATURNINO C. TORREFRANCA DISTRICT ENGINEER OIC - CHIEF, PLANNING & DESIGN DIVISION DATE:</p>	<p>KHADAFFY D. TANGGOL ASSISTANT REGIONAL DIRECTOR DATE:</p>	<p>CAYAMOMBAO D. DIA, CESO IV REGIONAL DIRECTOR DATE:</p>		



GROUND FLOOR POWER LAYOUT

SCALE 1:100 MTS



REPUBLIC OF THE PHILIPPINES
COMMISSION ON AUDIT
 REGIONAL OFFICE NO. IX
 CABATANGAN, ZAMBOANGA CITY

RECOMMENDING APPROVAL :

VISITACION Q. MENDOZA
 DIRECTOR IV - REGIONAL DIRECTOR

AMELIA P. VALDEZ
 DIRECTOR IV - GENERAL SERVICES OFFICE

APPROVED (BY THE AUTHORITY OF THE CHAIRPERSON) :

LORNA D. CABOCHAN
 ASSISTANT COMMISSIONER - ADMINISTRATION SECTOR



REPUBLIC OF THE PHILIPPINES
 DEPARTMENT OF PUBLIC WORKS AND HIGHWAYS
 REGIONAL OFFICE IX
 VETERANS EXTENSION AVE., TETUAN, ZAMBOANGA CITY

PROJECT & LOCATION:

**COA REGIONAL OFFICE NO. IX
 TRAINING CENTER AND
 DORMITORY BUILDING**
 CABATANGAN, ZAMBOANGA CITY

SHEET CONTENT:

GROUND FLOOR POWER LAYOUT

PREPARED:

JOCELYN T. BRUCES
 ENGINEER II
 REGISTERED ELECTRICAL ENGINEER

REVIEWED:

PIO MARIO T. LACASTESANTOS
 ENGINEER III
 CHIEF, BRIDGE & OTHER PUBLIC WORKS DESIGN SECTION

SUBMITTED:

SATURNINO C. TORREFRANCA
 DISTRICT ENGINEER
 OIC - CHIEF, PLANNING & DESIGN DIVISION

RECOMMENDED:

KHADAFFY D. TANGGOL
 ASSISTANT REGIONAL DIRECTOR

APPROVED:

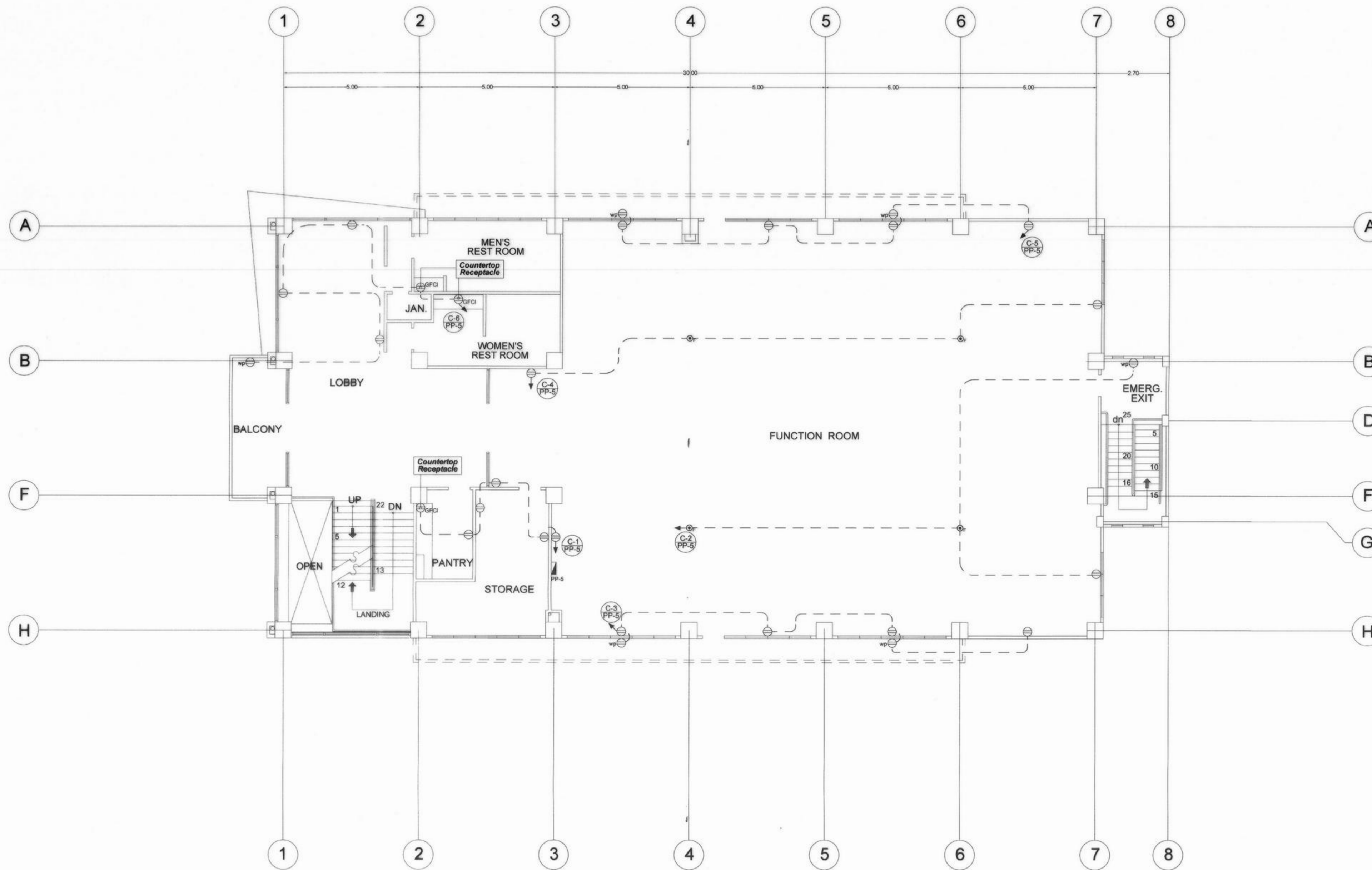
CAYAMOMBAO D. DIA, CESO IV
 REGIONAL DIRECTOR

SET NO.

52

SHEET NO.:

E-5
 52/68



THIRD FLOOR POWER LAYOUT

SCALE 1:100 MTS



REPUBLIC OF THE PHILIPPINES
COMMISSION ON AUDIT
 REGIONAL OFFICE NO. IX
 CABATANGAN, ZAMBOANGA CITY

RECOMMENDING APPROVAL :

VISITACION Q. MENDOZA
 DIRECTOR IV - REGIONAL DIRECTOR

AMELIA P. VALDEZ
 DIRECTOR IV - GENERAL SERVICES OFFICE

APPROVED (BY THE AUTHORITY OF THE CHAIRPERSON):

LORNA D. CABOCHAN
 ASSISTANT COMMISSIONER - ADMINISTRATION SECTOR



REPUBLIC OF THE PHILIPPINES
 DEPARTMENT OF PUBLIC WORKS AND HIGHWAYS
 REGIONAL OFFICE IX
 VETERANS EXTENSION AVE., TETUAN, ZAMBOANGA CITY

PROJECT & LOCATION:

**COA REGIONAL OFFICE NO. IX
 TRAINING CENTER AND
 DORMITORY BUILDING**
 CABATANGAN, ZAMBOANGA CITY

SHEET CONTENT:

THIRD FLOOR POWER LAYOUT

PREPARED:

JOCELYN T. BRUCES
 ENGINEER II
 REGISTERED ELECTRICAL ENGINEER

DATE: NOVEMBER 2018

REVIEWED:

PIO MARIO T. LACASTESANTOS
 ENGINEER II
 CHIEF, BRIDGE & OTHER PUBLIC WORKS DESIGN SECTION

DATE:

SUBMITTED:

SATURNINO C. TORREFRANCA
 DISTRICT ENGINEER
 OIC - CHIEF, PLANNING & DESIGN DIVISION

DATE:

RECOMMENDED:

KHADAFFY D. TANGGOL
 ASSISTANT REGIONAL DIRECTOR

DATE:

APPROVED:

CAYAMOMBAO D. DIA, CESO IV
 REGIONAL DIRECTOR

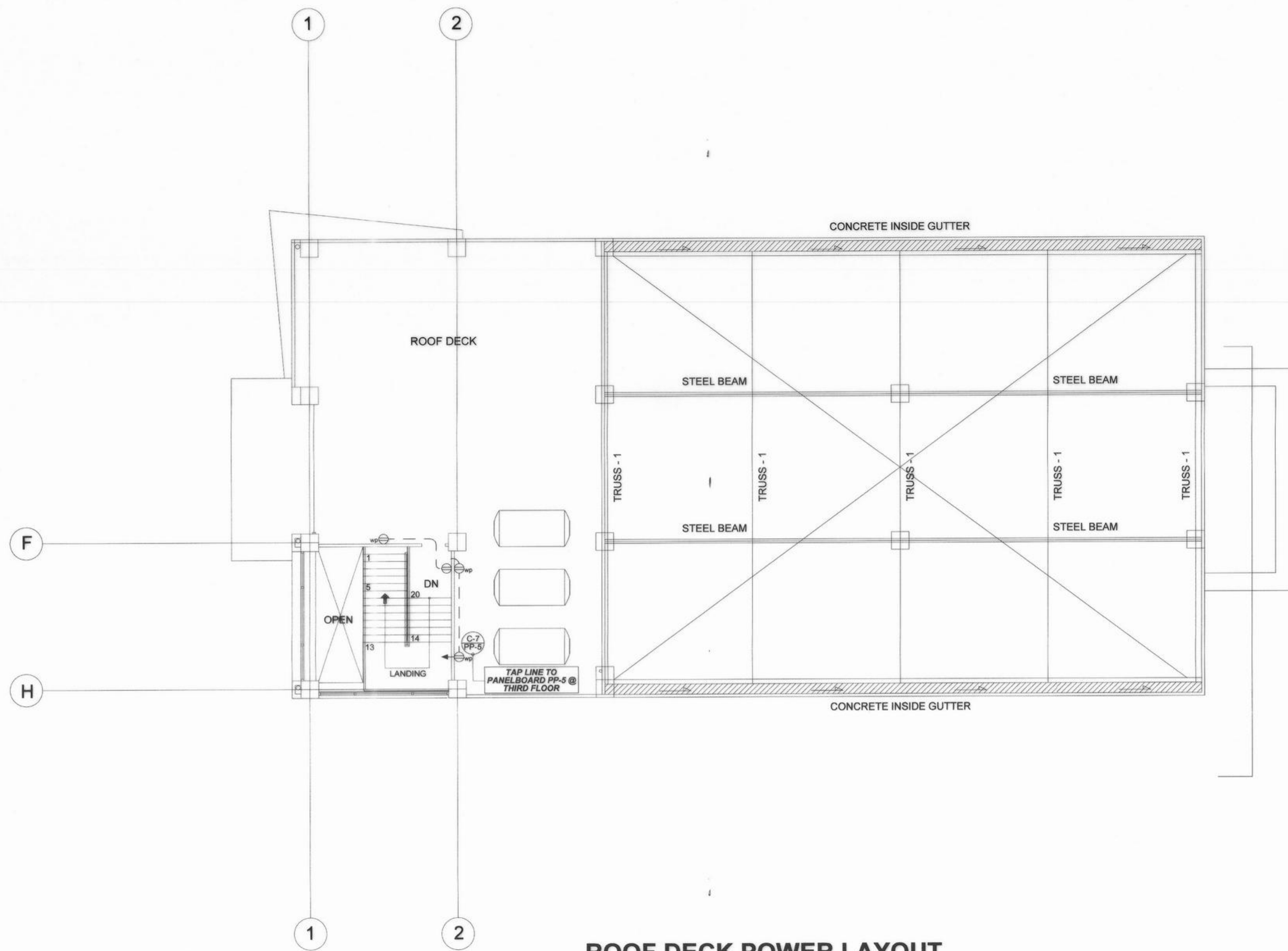
DATE:

SET NO.



SHEET NO.:





ROOF DECK POWER LAYOUT

SCALE 1:100 MTS



REPUBLIC OF THE PHILIPPINES
COMMISSION ON AUDIT
REGIONAL OFFICE NO. IX
CABATANGAN, ZAMBOANGA CITY

RECOMMENDING APPROVAL :

VISITACION Q. MENDOZA
DIRECTOR IV - REGIONAL DIRECTOR

AMELIA P. VALDEZ
DIRECTOR IV - GENERAL SERVICES OFFICE

APPROVED (BY THE AUTHORITY OF THE CHAIRPERSON) :

LORNA D. CABOCHAN
ASSISTANT COMMISSIONER - ADMINISTRATION SECTOR



REPUBLIC OF THE PHILIPPINES
DEPARTMENT OF PUBLIC WORKS AND HIGHWAYS
REGIONAL OFFICE IX
VETERANS EXTENSION AVE., TETUAN, ZAMBOANGA CITY

PROJECT & LOCATION:

**COA REGIONAL OFFICE NO. IX
TRAINING CENTER AND
DORMITORY BUILDING**
CABATANGAN, ZAMBOANGA CITY

SHEET CONTENT:

ROOF DECK POWER LAYOUT

PREPARED:

JOCELYN T. BRUCES
ENGINEER II
REGISTERED ELECTRICAL ENGINEER

DATE: NOVEMBER 2018

REVIEWED:

PIO MARIO T. LACASTESANTOS
ENGINEER III
CHIEF, BRIDGE & OTHER PUBLIC WORKS DESIGN SECTION

DATE:

SUBMITTED:

SATURMINO C. TORREFRANCA
DISTRICT ENGINEER
OIC - CHIEF, PLANNING & DESIGN DIVISION

DATE:

RECOMMENDED:

KHADAFFY D. TANGGOL
ASSISTANT REGIONAL DIRECTOR

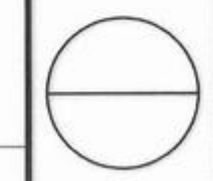
DATE:

APPROVED:

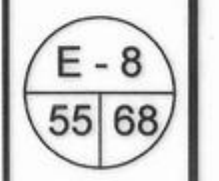
CAYAMOMBABO D. DIA, CESO IV
REGIONAL DIRECTOR

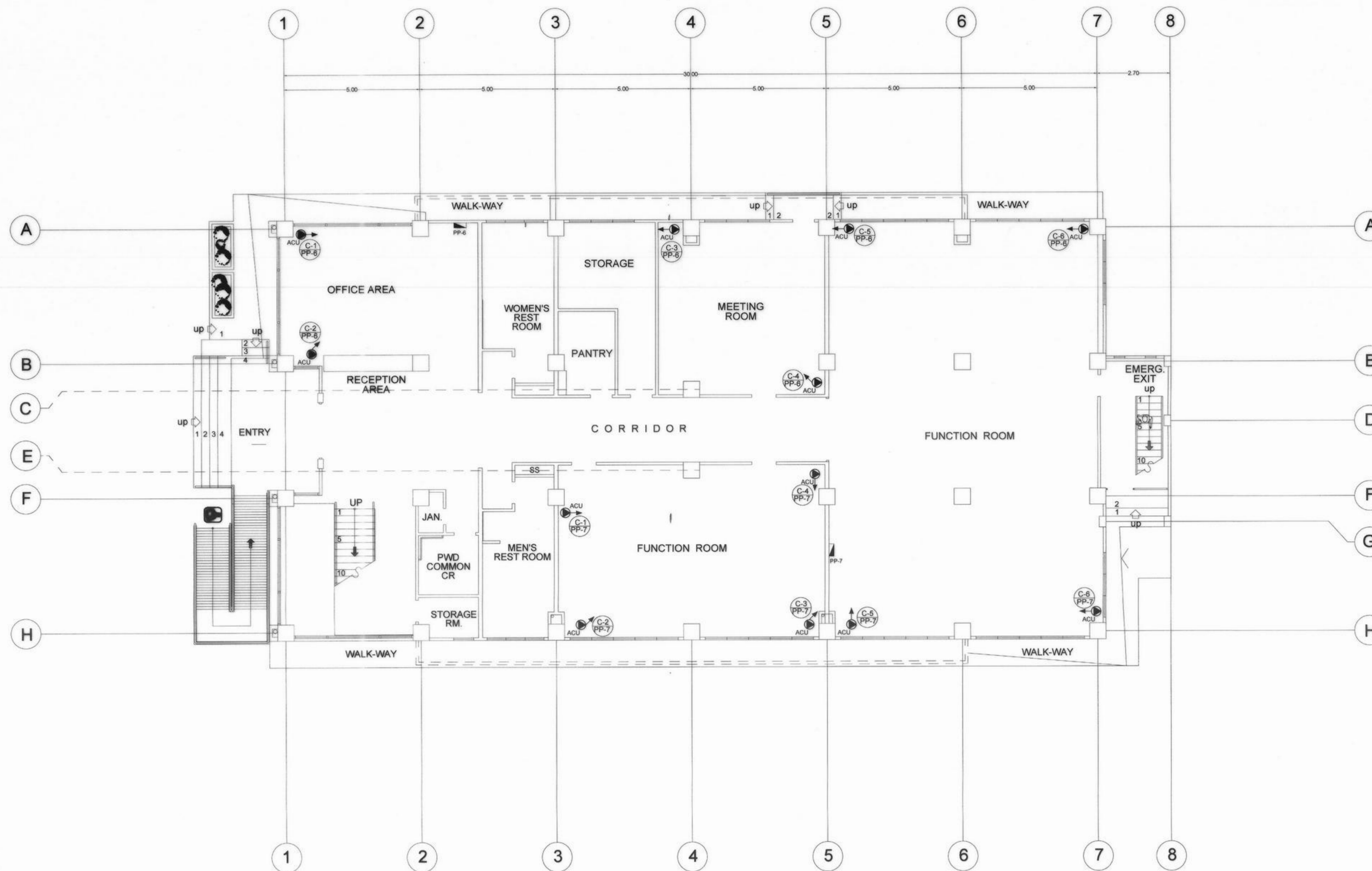
DATE:

SET NO.



SHEET NO.:





GROUND FLOOR AIRCONDITIONING LAYOUT

SCALE 1:100 MTS



REPUBLIC OF THE PHILIPPINES
COMMISSION ON AUDIT
 REGIONAL OFFICE NO. IX
 CABATANGAN, ZAMBOANGA CITY

RECOMMENDING APPROVAL :

VISITACION Q. MENDOZA
 DIRECTOR IV - REGIONAL DIRECTOR

AMELIA P. VALDEZ
 DIRECTOR IV - GENERAL SERVICES OFFICE

APPROVED (BY THE AUTHORITY OF THE CHAIRPERSON) :

LORNA D. CABOCHAN
 ASSISTANT COMMISSIONER - ADMINISTRATION SECTOR



REPUBLIC OF THE PHILIPPINES
 DEPARTMENT OF PUBLIC WORKS AND HIGHWAYS
 REGIONAL OFFICE IX
 VETERANS EXTENSION AVE., TETUAN, ZAMBOANGA CITY

PROJECT & LOCATION:
**COA REGIONAL OFFICE NO. IX
 TRAINING CENTER AND
 DORMITORY BUILDING**
 CABATANGAN, ZAMBOANGA CITY

SHEET CONTENT:
 GROUND FLOOR AIRCONDITIONING
 LAYOUT

PREPARED:
 JOCELYN T. BRUCES
 ENGINEER II
 REGISTERED ELECTRICAL ENGINEER
 DATE: NOVEMBER 2016

REVIEWED:
 PIO MARIO T. LACASTESANTOS
 ENGINEER II
 CHIEF, BRIDGE & OTHER PUBLIC WORKS DESIGN SECTION
 DATE:

SUBMITTED:
 SATURNINO C. TORREFRANCA
 DISTRICT ENGINEER
 OIC - CHIEF, PLANNING & DESIGN DIVISION
 DATE:

RECOMMENDED:
 KHADAFFY D. TANGGOL
 ASSISTANT REGIONAL DIRECTOR
 DATE:

APPROVED:
 CAYAMOMBAO D. DIA, CESO IV
 REGIONAL DIRECTOR
 DATE:

SET NO. SHEET NO.:
 E - 9
 56 | 68

GENERAL NOTES

ALL PLUMBING WORKS INCLUDED HEREIN SHALL BE EXECUTED ACCORDING TO THE REQUIREMENTS OF THE UNIFORM PLUMBING CODE OF THE PHILIPPINES AND THE RULES AND REGULATIONS OF THE GOVERNMENT. NOTHING CONTAINED ON THE DRAWING SHALL BE CONSTRUCTED AS TO CONFLICT WITH THE NATIONAL AND LOCAL ORDINANCES OR LAWS GOVERNING THE IMPLEMENTATION OF THE PLUMBING WORKS.

REFER TO ALL ELECTRICAL, STRUCTURAL, AND ARCHITECTURAL PLANS AND SPECIFICATIONS AND INVESTIGATE ALL POSSIBLE INTERFERENCES AND CONDITIONS AFFECTING PLUMBING WORKS.

THE ENGINEER AND ARCHITECT SHALL BE IMMEDIATELY NOTIFIED FOR ANY DISCREPANCY FOUND THEREIN.

PIPES SHALL BE WITH PRIOR APPROVAL OF THE ARCHITECT AND ENGINEER.

PROPOSED SANITARY UTILITIES SHALL CONFORM WITH THE ACTUAL LOCATION, DEPTH, AND INVERT ELEVATION OF ALL EXISTING PIPES STRUCTURE.

ALL SLOPES FOR HORIZONTAL BRANCHES SHALL MAINTAIN 1% AS MINIMUM UNLESS STATED OTHERWISE.

ALL SEWER LINES SHALL BE UPVC PIPE SERIES 1000 BY EMERALD OR EQUIVALENT.

ALL VENT PIPES SHALL BE UPVC PIPE SERIES 1000.

ALL DOWNSPOUTS SHALL BE PVC PIPE SERIES 1000.

ALL COLD WATER LINES SHALL BE PPR PN-20 TYPE THERMOVAR OR EQUIVLENT.

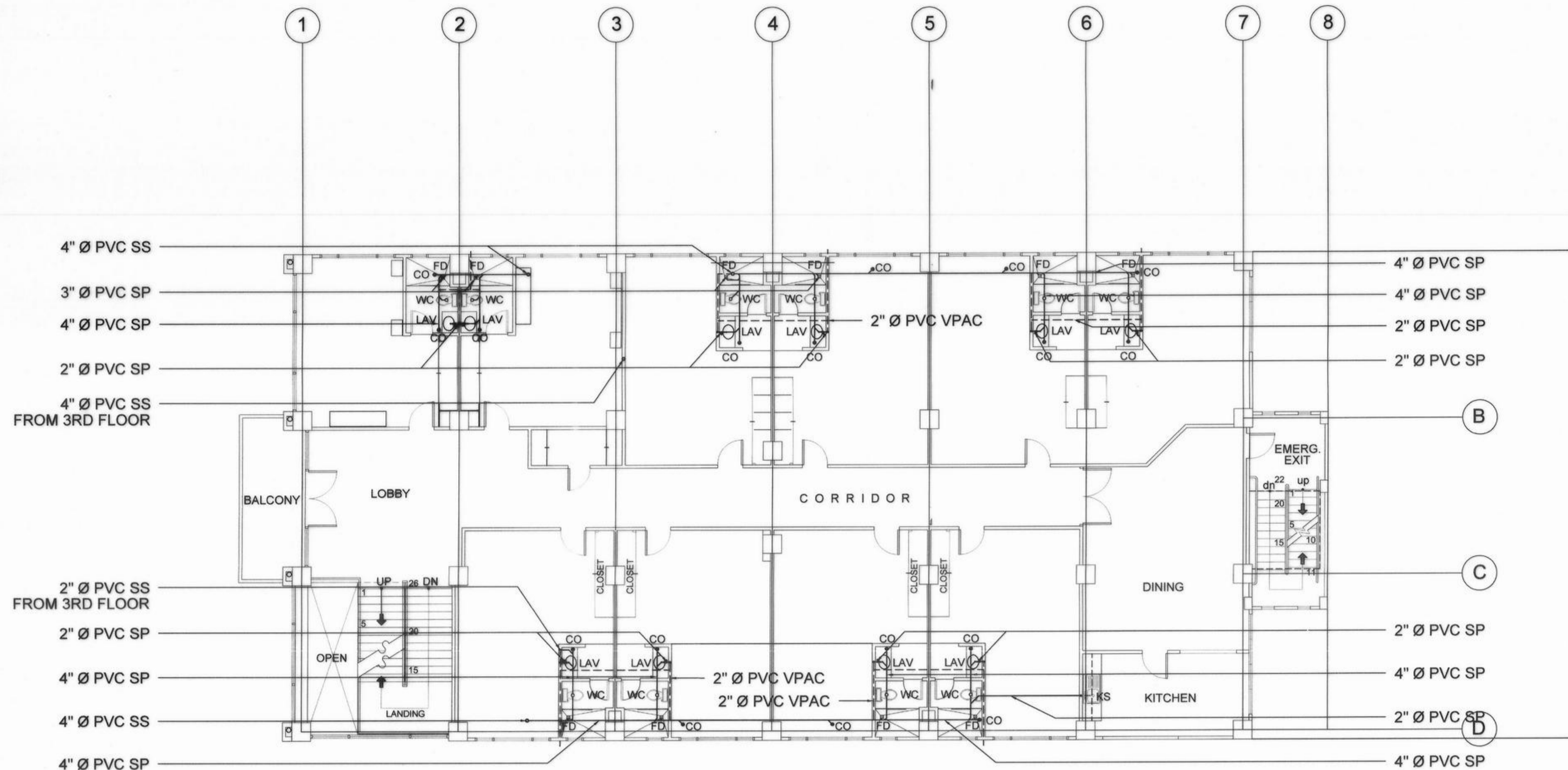
LEGENDS & SYMBOLS

WATER SUPPLY DISTRIBUTION SYSTEM

- CWL COLD WATERLINE
- GV GATE VALVE
- CV CHECK VALVE
- F / SHO FAUCET & SHOWER RISER

WASTEWATER COLLECTION SYSTEM

- SP SOIL PIPE
- VP VENT PIPE
- VP AC VENT PIPE ABOVE CEILING
- VPTW AC VENT THRU WALL ABOVE CL.
- VSAC VENT STACK ABOVE CL.
- CO CLEAN OUT
- FD FLOOR DRAIN
- PIPE STACK PIPE STACK
- WC WATER CLOSET
- URI URINAL
- DP DRAIN PIPE
- DS DOWNSPOUT
- RD ROOF DRAIN
- CB CATCH BASIN



SECOND FLOOR SANITARY LAYOUT
SCALE 1:100 M



REPUBLIC OF THE PHILIPPINES
COMMISSION ON AUDIT
REGIONAL OFFICE NO. IX
CABATANGAN, ZAMBOANGA CITY

RECOMMENDING APPROVAL :

VISITACION Q. MENDOZA
DIRECTOR IV - REGIONAL DIRECTOR

AMELIA P. VALDEZ
DIRECTOR IV - GENERAL SERVICES OFFICE

APPROVED (BY THE AUTHORITY OF THE CHAIRPERSON) :

LORNA D. CABOCHAN
DISTRICT COMMISSIONER - ADMINISTRATION SECTION



REPUBLIC OF THE PHILIPPINES
DEPARTMENT OF PUBLIC WORKS AND HIGHWAYS
REGIONAL OFFICE IX
VETERANS EXTENSION AVE., TETUAN, ZAMBOANGA CITY

PROJECT & LOCATION:
**COA REGIONAL OFFICE NO. IX
TRAINING CENTER AND
DORMITORY BUILDING**
CABATANGAN, ZAMBOANGA CITY

SHEET CONTENT:
SECOND FLOOR SANITARY LAYOUT
GENERAL NOTES
LEGENDS AND SYMBOLS

PREPARED:
AR-RAFA A. SALUAN
ENGINEERING AIDE
REGISTERED SANITARY ENGINEER

REVIEWED:
PIO MARIO T. LACASTESANTOS
ENGINEER III
CHIEF, BRIDGE & OTHER PUBLIC WORKS DESIGN SECTION

SUBMITTED:
SATURNINO C. TORREFRANCA
DISTRICT ENGINEER
OIC - CHIEF, PLANNING & DESIGN DIVISION

RECOMMENDED:
KHADAFFY D. TANGGOL
ASSISTANT REGIONAL DIRECTOR

APPROVED:
CAYAMOMBAO D. DIA, CESO IV
REGIONAL DIRECTOR

SET NO.

SHEET NO.: **P - 10**
35 68

GENERAL NOTES

ALL PLUMBING WORKS INCLUDED HEREIN SHALL BE EXECUTED ACCORDING TO THE REQUIREMENTS OF THE UNIFORM PLUMBING CODE OF THE PHILIPPINES AND THE RULES AND REGULATIONS OF THE GOVERNMENT. NOTHING CONTAINED ON THE DRAWING SHALL BE CONSTRUCTED AS TO CONFLICT WITH THE NATIONAL AND LOCAL ORDINANCES OR LAWS GOVERNING THE IMPLEMENTATION OF THE PLUMBING WORKS.

REFER TO ALL ELECTRICAL, STRUCTURAL, AND ARCHITECTURAL PLANS AND SPECIFICATIONS AND INVESTIGATE ALL POSSIBLE INTERFERENCES AND CONDITIONS AFFECTING PLUMBING WORKS.

THE ENGINEER AND ARCHITECT SHALL BE IMMEDIATELY NOTIFIED FOR ANY DISCREPANCY FOUND THEREIN.

PIPES SHALL BE WITH PRIOR APPROVAL OF THE ARCHITECT AND ENGINEER.

PROPOSED SANITARY UTILITIES SHALL CONFORM WITH THE ACTUAL LOCATION, DEPTH, AND INVERT ELEVATION OF ALL EXISTING PIPES STRUCTURE.

ALL SLOPES FOR HORIZONTAL BRANCHES SHALL MAINTAIN 1% AS MINIMUM UNLESS STATED OTHERWISE.

ALL SEWER LINES SHALL BE UPVC PIPE SERIES 1000 BY EMERALD OR EQUIVALENT.

ALL VENT PIPES SHALL BE UPVC PIPE SERIES 1000.

ALL DOWNSPOUTS SHALL BE PVC PIPE SERIES 1000.

ALL COLD WATER LINES SHALL BE PPR PN-20 TYPE THERMOVAR OR EQUIVALENT.

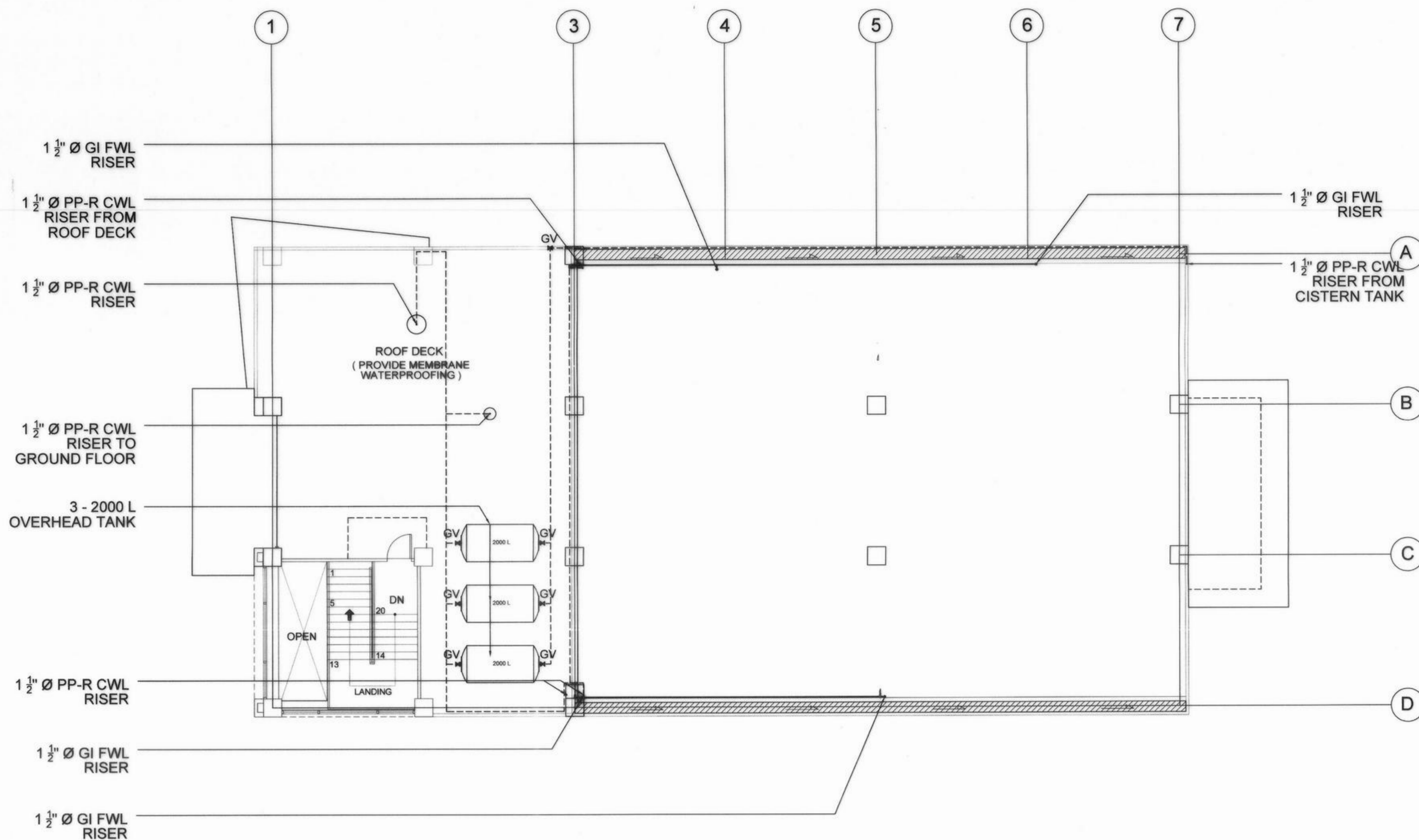
LEGENDS & SYMBOLS

WATER SUPPLY DISTRIBUTION SYSTEM

- CWL COLD WATERLINE
- X — GV GATE VALVE
- N — CV CHECK VALVE
- F / SHO FAUCET & SHOWER RISER
- RISER

WASTEWATER COLLECTION SYSTEM

- SP SOIL PIPE
- VP VENT PIPE
- VP AC VENT PIPE ABOVE CEILING
- VPTW AC VENT THRU WALL ABOVE CL.
- VSAC VENT STACK ABOVE CL.
- CO CLEAN OUT
- FD FLOOR DRAIN
- PIPE STACK
- WC WATER CLOSET
- URI URINAL
- DP DRAIN PIPE
- DS DOWNSPOUT
- RD ROOF DRAIN
- CB CATCH BASIN



ROOF DECK WATERLINE LAYOUT

SCALE 1:100 M



REPUBLIC OF THE PHILIPPINES
COMMISSION ON AUDIT
REGIONAL OFFICE NO. IX
CABATANGAN, ZAMBOANGA CITY

RECOMMENDING APPROVAL :

VISITACION Q. MENDOZA
DIRECTOR IV - REGIONAL DIRECTOR

AMELIA P. VALDEZ
DIRECTOR IV - GENERAL SERVICES OFFICE

APPROVED (BY THE AUTHORITY OF THE CHAIRPERSON) :

LORNA D. CABOCHAN
ASSISTANT COMMISSIONER - ADMINISTRATION SECTOR



REPUBLIC OF THE PHILIPPINES
DEPARTMENT OF PUBLIC WORKS AND HIGHWAYS
REGIONAL OFFICE IX
VETERANS EXTENSION AVE., TETUAN, ZAMBOANGA CITY

PROJECT & LOCATION:

**COA REGIONAL OFFICE NO. IX
TRAINING CENTER AND
DORMITORY BUILDING**
CABATANGAN, ZAMBOANGA CITY

SHEET CONTENT:

ROOF DECK WATER LINE LAYOUT
GENERAL NOTES
LEGENDS AND SYMBOLS

PREPARED:

AR-RAFFIA SALUAN
ENGINEERING AIDE
REGISTERED SANITARY ENGINEER

REVIEWED:

PIO MARIO T. LACASTESANTOS
ENGINEER II
CHIEF, BRIDGE & OTHER PUBLIC WORKS DESIGN SECTION

SUBMITTED:

SATURNINO C. TORREFRANCA
DISTRICT ENGINEER
OIC - CHIEF, PLANNING & DESIGN DIVISION

RECOMMENDED:

KHADAFFY D. TANGGOL
ASSISTANT REGIONAL DIRECTOR

APPROVED:

CAYAMOMBAO D. DIA, CESO IV
REGIONAL DIRECTOR

SET NO.



SHEET NO.:

P - 1
26 / 68

GENERAL NOTES

ALL PLUMBING WORKS INCLUDED HEREIN SHALL BE EXECUTED ACCORDING TO THE REQUIREMENTS OF THE UNIFORM PLUMBING CODE OF THE PHILIPPINES AND THE RULES AND REGULATIONS OF THE GOVERNMENT. NOTHING CONTAINED ON THE DRAWING SHALL BE CONSTRUCTED AS TO CONFLICT WITH THE NATIONAL AND LOCAL ORDINANCES OR LAWS GOVERNING THE IMPLEMENTATION OF THE PLUMBING WORKS.

REFER TO ALL ELECTRICAL, STRUCTURAL, AND ARCHITECTURAL PLANS AND SPECIFICATIONS AND INVESTIGATE ALL POSSIBLE INTERFERENCES AND CONDITIONS AFFECTING PLUMBING WORKS.

THE ENGINEER AND ARCHITECT SHALL BE IMMEDIATELY NOTIFIED FOR ANY DISCREPANCY FOUND THEREIN.

PIPES SHALL BE WITH PRIOR APPROVAL OF THE ARCHITECT AND ENGINEER.

PROPOSED SANITARY UTILITIES SHALL CONFORM WITH THE ACTUAL LOCATION, DEPTH, AND INVERT ELEVATION OF ALL EXISTING PIPES STRUCTURE.

ALL SLOPES FOR HORIZONTAL BRANCHES SHALL MAINTAIN 1% AS MINIMUM UNLESS STATED OTHERWISE.

ALL SEWER LINES SHALL BE UPVC PIPE SERIES 1000 BY EMERALD OR EQUIVALENT.

ALL VENT PIPES SHALL BE UPVC PIPE SERIES 1000.

ALL DOWNSPOUTS SHALL BE PVC PIPE SERIES 1000.

ALL COLD WATER LINES SHALL BE PPR PN-20 TYPE THERMOVAR OR EQUIVALENT.

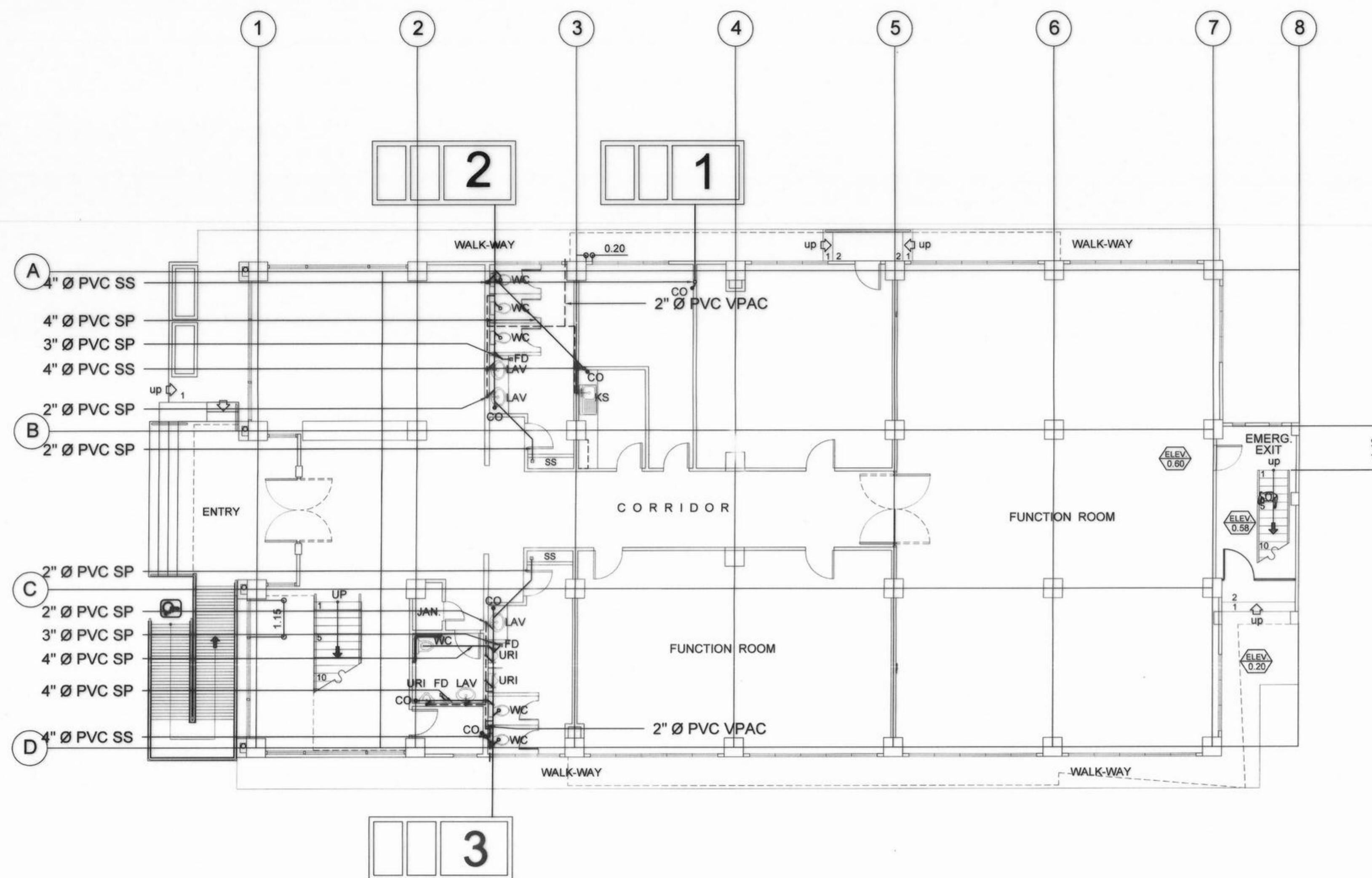
LEGENDS & SYMBOLS

WATER SUPPLY DISTRIBUTION SYSTEM

- CWL COLD WATERLINE
- GV GATE VALVE
- CV CHECK VALVE
- F / SHO FAUCET & SHOWER RISER
- RISER

WASTEWATER COLLECTION SYSTEM

- SP SOIL PIPE
- VP VENT PIPE
- VP AC VENT PIPE ABOVE CEILING
- VPTW AC VENT THRU WALL ABOVE CL.
- VSAC VENT STACK ABOVE CL.
- CO CLEAN OUT
- FD FLOOR DRAIN
- PIPE STACK
- WC WATER CLOSET
- URI URINAL
- DP DRAIN PIPE
- DS DOWNSPOUT
- RD ROOF DRAIN
- CB CATCH BASIN



GROUND FLOOR SANITARY LAYOUT

SCALE 1:100 M



REPUBLIC OF THE PHILIPPINES
COMMISSION ON AUDIT
REGIONAL OFFICE NO. IX
CABATANGAN, ZAMBOANGA CITY

RECOMMENDING APPROVAL :

VISITACION Q. MENDOZA
DIRECTOR IV - REGIONAL DIRECTOR

AMELIA P. VALDEZ
DIRECTOR IV - GENERAL SERVICES OFFICE

APPROVED (BY THE AUTHORITY OF THE CHAIRPERSON) :

LORNA D. CABOCHAN
ASSISTANT COMMISSIONER - ADMINISTRATION SECTOR



REPUBLIC OF THE PHILIPPINES
DEPARTMENT OF PUBLIC WORKS AND HIGHWAYS
REGIONAL OFFICE IX
VETERANS EXTENSION AVE., TETUAN, ZAMBOANGA CITY

PROJECT & LOCATION:
**COA REGIONAL OFFICE NO. IX
TRAINING CENTER AND
DORMITORY BUILDING**
CABATANGAN, ZAMBOANGA CITY

SHEET CONTENT:
GROUND FLOOR SANITARY LAYOUT
GENERAL NOTES
LEGENDS AND SYMBOLS


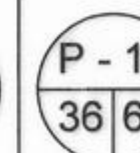
PREPARED:
AR-RAFLA SALUAN
ENGINEERING AIDE
REGISTERED SANITARY ENGINEER

REVIEWED:
PIO MARIO T. LACASTESANTOS
ENGINEER III
CHIEF, BRIDGE & OTHER PUBLIC WORKS DESIGN SECTION

SUBMITTED:
SATURNINO C. TORREFRANCA
DISTRICT ENGINEER
OIC - CHIEF, PLANNING & DESIGN DIVISION

RECOMMENDED:
KHADAFFY D. TANGGOL
ASSISTANT REGIONAL DIRECTOR

APPROVED:
CAYAMOMBAO D. DIA, CESO IV
REGIONAL DIRECTOR

SET NO.  SHEET NO.: 

GENERAL NOTES

ALL PLUMBING WORKS INCLUDED HEREIN SHALL BE EXECUTED ACCORDING TO THE REQUIREMENTS OF THE UNIFORM PLUMBING CODE OF THE PHILIPPINES AND THE RULES AND REGULATIONS OF THE GOVERNMENT. NOTHING CONTAINED ON THE DRAWING SHALL BE CONSTRUCTED AS TO CONFLICT WITH THE NATIONAL AND LOCAL ORDINANCES OR LAWS GOVERNING THE IMPLEMENTATION OF THE PLUMBING WORKS.

REFER TO ALL ELECTRICAL, STRUCTURAL, AND ARCHITECTURAL PLANS AND SPECIFICATIONS AND INVESTIGATE ALL POSSIBLE INTERFERENCES AND CONDITIONS AFFECTING PLUMBING WORKS.

THE ENGINEER AND ARCHITECT SHALL BE IMMEDIATELY NOTIFIED FOR ANY DISCREPANCY FOUND THEREIN.

PIPES SHALL BE WITH PRIOR APPROVAL OF THE ARCHITECT AND ENGINEER.

PROPOSED SANITARY UTILITIES SHALL CONFORM WITH THE ACTUAL LOCATION, DEPTH, AND INVERT ELEVATION OF ALL EXISTING PIPES STRUCTURE.

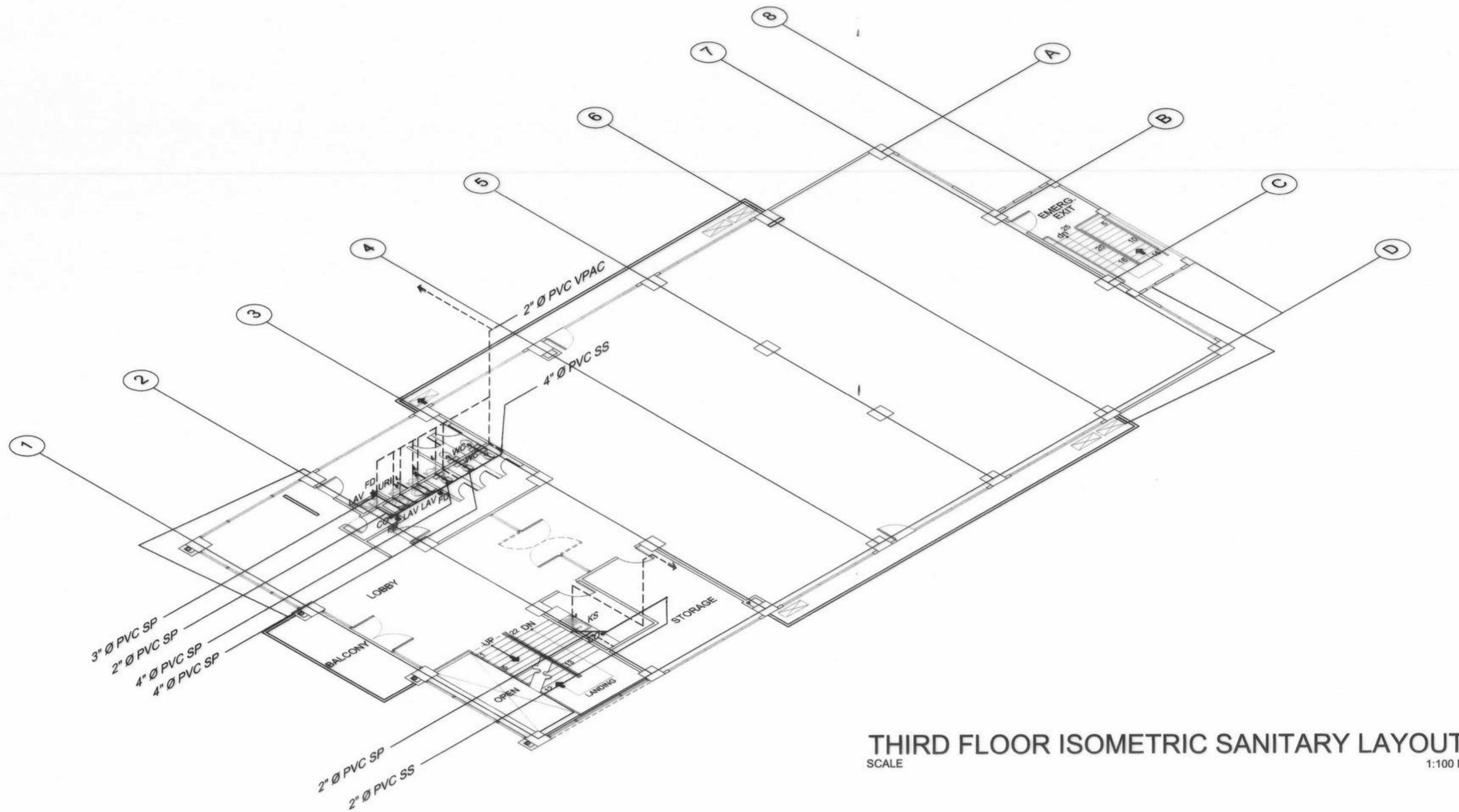
ALL SLOPES FOR HORIZONTAL BRANCHES SHALL MAINTAIN 1% AS MINIMUM UNLESS STATED OTHERWISE.

ALL SEWER LINES SHALL BE UPVC PIPE SERIES 1000 BY EMERALD OR EQUIVALENT.

ALL VENT PIPES SHALL BE UPVC PIPE SERIES 1000.

ALL DOWNSPOUTS SHALL BE PVC PIPE SERIES 1000.

ALL COLD WATER LINES SHALL BE PPR PN-20 TYPE THERMOVAR OR EQUIVLENT.



LEGENDS & SYMBOLS

WATER SUPPLY DISTRIBUTION SYSTEM

- CWL COLD WATERLINE
- X — GV GATE VALVE
- N — CV CHECK VALVE
- F / SHO FAUCET & SHOWER RISER

WASTEWATER COLLECTION SYSTEM

- SP SOIL PIPE
- VP VENT PIPE
- VP AC VENT PIPE ABOVE CEILING
- VPTW AC VENT THRU WALL ABOVE CL.
- VSAC VENT STACK ABOVE CL.
- CO CLEAN OUT
- FD FLOOR DRAIN
- PIPE STACK PIPE STACK
- WC WATER CLOSET
- URI URINAL
- DP DRAIN PIPE
- DS DOWNSPOUT
- RD ROOF DRAIN
- CB CATCH BASIN

THIRD FLOOR ISOMETRIC SANITARY LAYOUT
SCALE 1:100 M



REPUBLIC OF THE PHILIPPINES
COMMISSION ON AUDIT
REGIONAL OFFICE NO. IX
CABATANGAN, ZAMBOANGA CITY

RECOMMENDING APPROVAL :

VISITACION Q. MENDOZA
DIRECTOR IV - REGIONAL DIRECTOR

AMELIA P. VALDEZ
DIRECTOR IV - GENERAL SERVICES OFFICE

APPROVED (BY THE AUTHORITY OF THE CHAIRPERSON) :

LORNA D. CABOCHAN
ASSISTANT COMMISSIONER - ADMINISTRATION SECTOR



REPUBLIC OF THE PHILIPPINES
DEPARTMENT OF PUBLIC WORKS AND HIGHWAYS
REGIONAL OFFICE IX
VETERANS EXTENSION AVE., TETUAN, ZAMBOANGA CITY

PROJECT & LOCATION:

**COA REGIONAL OFFICE NO. IX
TRAINING CENTER AND
DORMITORY BUILDING**
CABATANGAN, ZAMBOANGA CITY

SHEET CONTENT:

THIRD FLOOR ISOMETRIC -
SANITARY LAYOUT
GENERAL NOTES
LEGENDS AND SYMBOLS

PREPARED:

AR-RAFAA SALUAN
REGISTERED SANITARY ENGINEER

REVIEWED:

PIO MARIO T. LACASTESANTOS
ENGINEER III
CHIEF, BRIDGE & OTHER PUBLIC WORKS DESIGN SECTION

SUBMITTED:

SATURINO C. TORREFRANCA
DISTRICT ENGINEER
OIC - CHIEF, PLANNING & DESIGN DIVISION

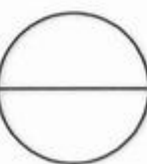
RECOMMENDED:

KHADAFFY D. TANGGOL
ASSISTANT REGIONAL DIRECTOR

APPROVED:

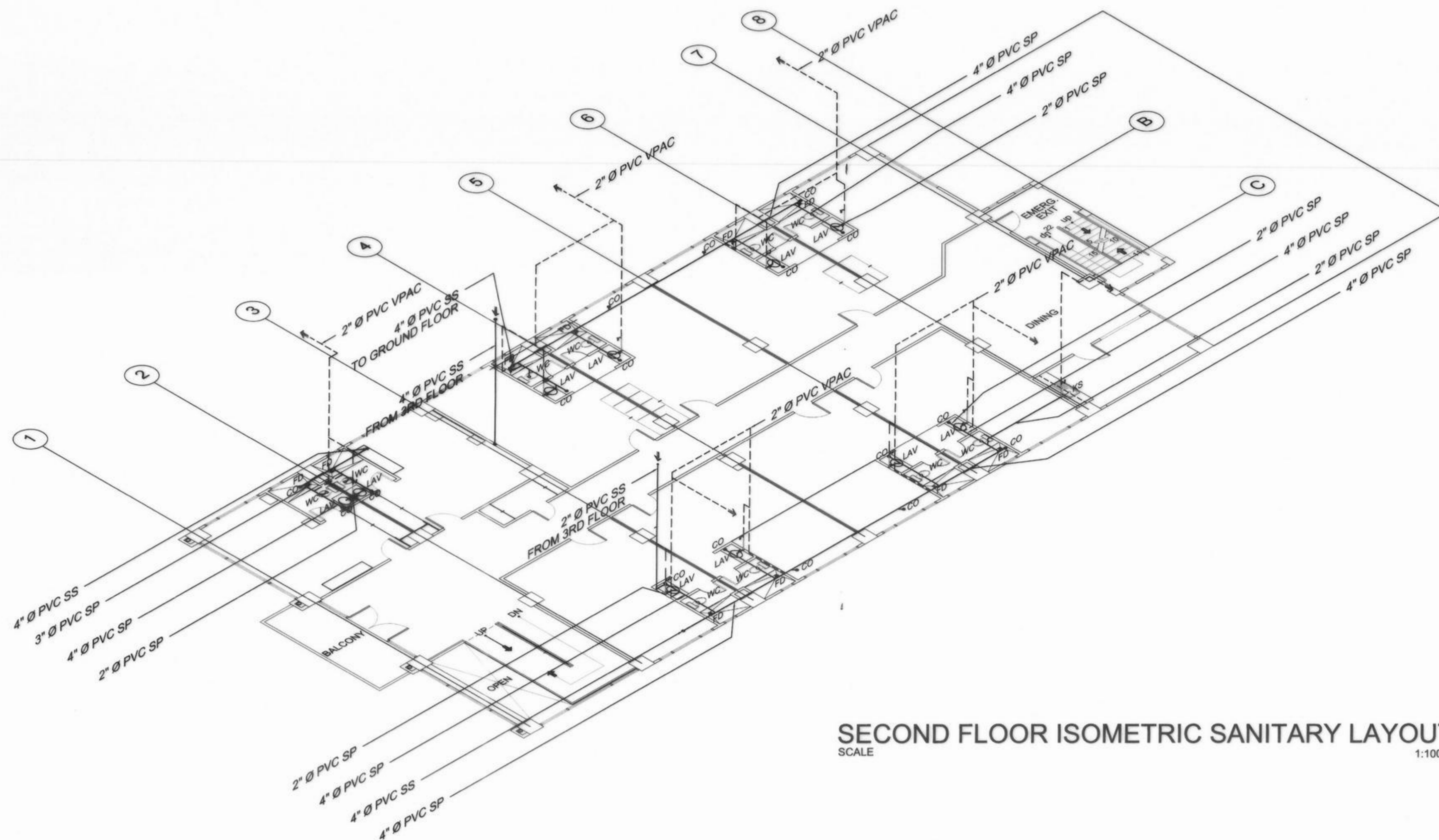
CAYAMOMBAO D. DIA, CESO IV
REGIONAL DIRECTOR

SET NO.



SHEET NO.:

P - 12
37 68



SECOND FLOOR ISOMETRIC SANITARY LAYOUT
SCALE 1:100 M

GENERAL NOTES

ALL PLUMBING WORKS INCLUDED HEREIN SHALL BE EXECUTED ACCORDING TO THE REQUIREMENTS OF THE UNIFORM PLUMBING CODE OF THE PHILIPPINES AND THE RULES AND REGULATIONS OF THE GOVERNMENT. NOTHING CONTAINED ON THE DRAWING SHALL BE CONSTRUCTED AS TO CONFLICT WITH THE NATIONAL AND LOCAL ORDINANCES OR LAWS GOVERNING THE IMPLEMENTATION OF THE PLUMBING WORKS.

REFER TO ALL ELECTRICAL, STRUCTURAL, AND ARCHITECTURAL PLANS AND SPECIFICATIONS AND INVESTIGATE ALL POSSIBLE INTERFERENCES AND CONDITIONS AFFECTING PLUMBING WORKS.

THE ENGINEER AND ARCHITECT SHALL BE IMMEDIATELY NOTIFIED FOR ANY DISCREPANCY FOUND THEREIN.

PIPES SHALL BE WITH PRIOR APPROVAL OF THE ARCHITECT AND ENGINEER.

PROPOSED SANITARY UTILITIES SHALL CONFORM WITH THE ACTUAL LOCATION, DEPTH, AND INVERT ELEVATION OF ALL EXISTING PIPES STRUCTURE.

ALL SLOPES FOR HORIZONTAL BRANCHES SHALL MAINTAIN 1% AS MINIMUM UNLESS STATED OTHERWISE.

ALL SEWER LINES SHALL BE UPVC PIPE SERIES 1000 BY EMERALD OR EQUIVALENT.

ALL VENT PIPES SHALL BE UPVC PIPE SERIES 1000.

ALL DOWNSPOUTS SHALL BE PVC PIPE SERIES 1000.

ALL COLD WATER LINES SHALL BE PPR PN-20 TYPE THERMOVAR OR EQUIVLENT.

LEGENDS & SYMBOLS

- WATER SUPPLY DISTRIBUTION SYSTEM**
- CWL COLD WATERLINE
 - GV GATE VALVE
 - CV CHECK VALVE
 - F / SHO FAUCET & SHOWER RISER

- WASTEWATER COLLECTION SYSTEM**
- SP SOIL PIPE
 - VP VENT PIPE
 - VP AC VENT PIPE ABOVE CEILING
 - VPTW AC VENT THRU WALL ABOVE CL.
 - VSAC VENT STACK ABOVE CL.
 - CO CLEAN OUT
 - FD FLOOR DRAIN
 - PIPE STACK
 - WC WATER CLOSET
 - URI URINAL
 - DP DRAIN PIPE
 - DS DOWNSPOUT
 - RD ROOF DRAIN
 - CB CATCH BASIN



REPUBLIC OF THE PHILIPPINES
COMMISSION ON AUDIT
REGIONAL OFFICE NO. IX
CABATANGAN, ZAMBOANGA CITY

RECOMMENDING APPROVAL :

VISITACION Q. MENDOZA
DIRECTOR IV - REGIONAL DIRECTOR

AMELIA P. VALDEZ
DIRECTOR IV - GENERAL SERVICES OFFICE

APPROVED (BY THE AUTHORITY OF THE CHAIRPERSON) :

LORNA D. CABOCHAN
ASSISTANT COMMISSIONER - ADMINISTRATION SECTOR



PROJECT & LOCATION:
**COA REGIONAL OFFICE NO. IX
TRAINING CENTER AND
DORMITORY BUILDING**
CABATANGAN, ZAMBOANGA CITY

SHEET CONTENT:
SECOND FLOOR ISOMETRIC -
SANITARY LAYOUT
GENERAL NOTES
LEGENDS AND SYMBOLS

PREPARED:
AR-RAJIA SALUAN
ENGINEERING AIDE
REGISTERED SANITARY ENGINEER

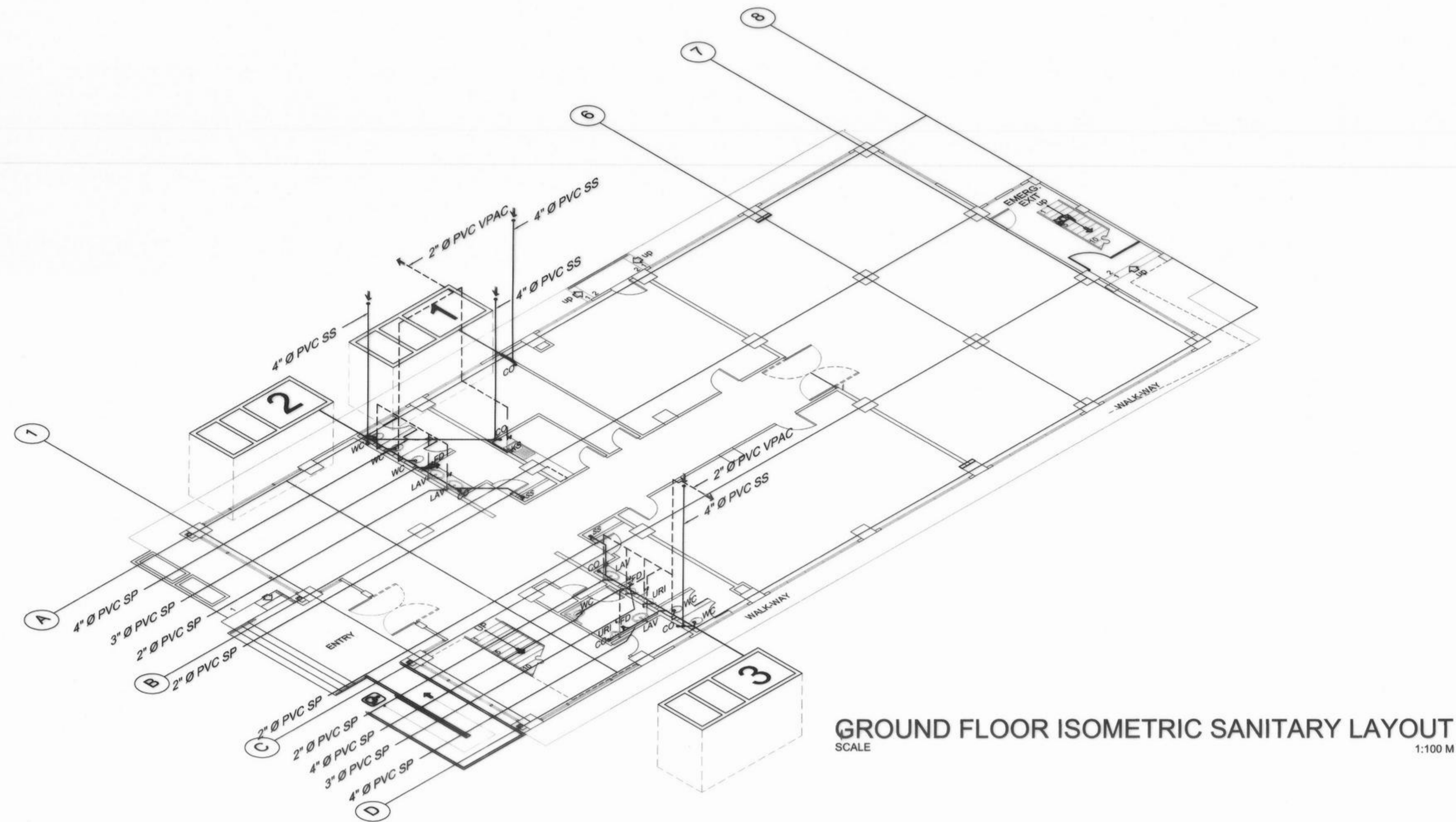
REVIEWED:
PIO MARIO T. LACASTESANTOS
ENGINEER III
CHIEF, BRIDGE & OTHER PUBLIC WORKS DESIGN SECTION

SUBMITTED:
SATURNINO C. TORREFRANCA
DISTRICT ENGINEER
D/C - CHIEF, PLANNING & DESIGN DIVISION

RECOMMENDED:
KHADAFFY D. TANGGOL
ASSISTANT REGIONAL DIRECTOR

APPROVED:
CAYAMOMBAO D. DIA, CESO IV
REGIONAL DIRECTOR

SET NO. SHEET NO.:
P - 13
38 68



GROUND FLOOR ISOMETRIC SANITARY LAYOUT
SCALE 1:100 M

GENERAL NOTES

ALL PLUMBING WORKS INCLUDED HEREIN SHALL BE EXECUTED ACCORDING TO THE REQUIREMENTS OF THE UNIFORM PLUMBING CODE OF THE PHILIPPINES AND THE RULES AND REGULATIONS OF THE GOVERNMENT. NOTHING CONTAINED ON THE DRAWING SHALL BE CONSTRUCTED AS TO CONFLICT WITH THE NATIONAL AND LOCAL ORDINANCES OR LAWS GOVERNING THE IMPLEMENTATION OF THE PLUMBING WORKS.

REFER TO ALL ELECTRICAL, STRUCTURAL, AND ARCHITECTURAL PLANS AND SPECIFICATIONS AND INVESTIGATE ALL POSSIBLE INTERFERENCES AND CONDITIONS AFFECTING PLUMBING WORKS.

THE ENGINEER AND ARCHITECT SHALL BE IMMEDIATELY NOTIFIED FOR ANY DISCREPANCY FOUND THEREIN.

PIPES SHALL BE WITH PRIOR APPROVAL OF THE ARCHITECT AND ENGINEER.

PROPOSED SANITARY UTILITIES SHALL CONFORM WITH THE ACTUAL LOCATION, DEPTH, AND INVERT ELEVATION OF ALL EXISTING PIPES STRUCTURE.

ALL SLOPES FOR HORIZONTAL BRANCHES SHALL MAINTAIN 1% AS MINIMUM UNLESS STATED OTHERWISE.

ALL SEWER LINES SHALL BE UPVC PIPE SERIES 1000 BY EMERALD OR EQUIVALENT.

ALL VENT PIPES SHALL BE UPVC PIPE SERIES 1000.

ALL DOWNSPOUTS SHALL BE PVC PIPE SERIES 1000.

ALL COLD WATER LINES SHALL BE PPR PN-20 TYPE THERMOVAR OR EQUIVALENT.

LEGENDS & SYMBOLS

WATER SUPPLY DISTRIBUTION SYSTEM

- CWL COLD WATERLINE
- GV GATE VALVE
- CV CHECK VALVE
- F / SHO FAUCET & SHOWER RISER

WASTEWATER COLLECTION SYSTEM

- SP SOIL PIPE
- - - VP VENT PIPE
- VP AC VENT PIPE ABOVE CEILING
- VPTW AC VENT THRU WALL ABOVE CL.
- VSAC VENT STACK ABOVE CL.
- CO CLEAN OUT
- FD FLOOR DRAIN
- PIPE STACK
- WC WATER CLOSET
- URI URINAL
- DP DRAIN PIPE
- DS DOWNSPOUT
- RD ROOF DRAIN
- CB CATCH BASIN



REPUBLIC OF THE PHILIPPINES
COMMISSION ON AUDIT
REGIONAL OFFICE NO. IX
CABATANGAN, ZAMBOANGA CITY

RECOMMENDING APPROVAL :

VISITACION Q. MENDOZA
DIRECTOR IV - REGIONAL DIRECTOR

AMELIA P. VALDEZ
DIRECTOR IV - GENERAL SERVICES OFFICE

APPROVED (BY THE AUTHORITY OF THE CHAIRPERSON) :

LORNA D. CABOCHAN
ASSISTANT COMMISSIONER - ADMINISTRATION SECTION



REPUBLIC OF THE PHILIPPINES
DEPARTMENT OF PUBLIC WORKS AND HIGHWAYS
REGIONAL OFFICE IX
VETERANS EXTENSION AVE., TETUAN, ZAMBOANGA CITY

PROJECT & LOCATION:

**COA REGIONAL OFFICE NO. IX
TRAINING CENTER AND
DORMITORY BUILDING**
CABATANGAN, ZAMBOANGA CITY

SHEET CONTENT:

GROUND FLOOR ISOMETRIC -
- SANITARY LAYOUT
GENERAL NOTES
LEGENDS AND SYMBOLS

PREPARED:

AR-RAJ A. SALUAN
ENGINEERING AIDE
REGISTERED SANITARY ENGINEER

REVIEWED:

PIO MARIO T. LACASTESANTOS
ENGINEER III
CHIEF, BRIDGE & OTHER PUBLIC WORKS DESIGN SECTION

SUBMITTED:

SATURNINO C. TORREFRANCA
DISTRICT ENGINEER
OIC - CHIEF, PLANNING & DESIGN DIVISION

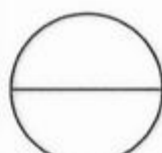
RECOMMENDED:

KHADAFFY D. TANGGOL
ASSISTANT REGIONAL DIRECTOR

APPROVED:

CAYAMOMBAO D. DIA, CESO IV
REGIONAL DIRECTOR

SET NO.



SHEET NO.:

P - 14
39 / 68

GENERAL NOTES

ALL PLUMBING WORKS INCLUDED HEREIN SHALL BE EXECUTED ACCORDING TO THE REQUIREMENTS OF THE UNIFORM PLUMBING CODE OF THE PHILIPPINES AND THE RULES AND REGULATIONS OF THE GOVERNMENT. NOTHING CONTAINED ON THE DRAWING SHALL BE CONSTRUCTED AS TO CONFLICT WITH THE NATIONAL AND LOCAL ORDINANCES OR LAWS GOVERNING THE IMPLEMENTATION OF THE PLUMBING WORKS.

REFER TO ALL ELECTRICAL, STRUCTURAL, AND ARCHITECTURAL PLANS AND SPECIFICATIONS AND INVESTIGATE ALL POSSIBLE INTERFERENCES AND CONDITIONS AFFECTING PLUMBING WORKS.

THE ENGINEER AND ARCHITECT SHALL BE IMMEDIATELY NOTIFIED FOR ANY DISCREPANCY FOUND THEREIN.

PIPES SHALL BE WITH PRIOR APPROVAL OF THE ARCHITECT AND ENGINEER.

PROPOSED SANITARY UTILITIES SHALL CONFORM WITH THE ACTUAL LOCATION, DEPTH, AND INVERT ELEVATION OF ALL EXISTING PIPES STRUCTURE.

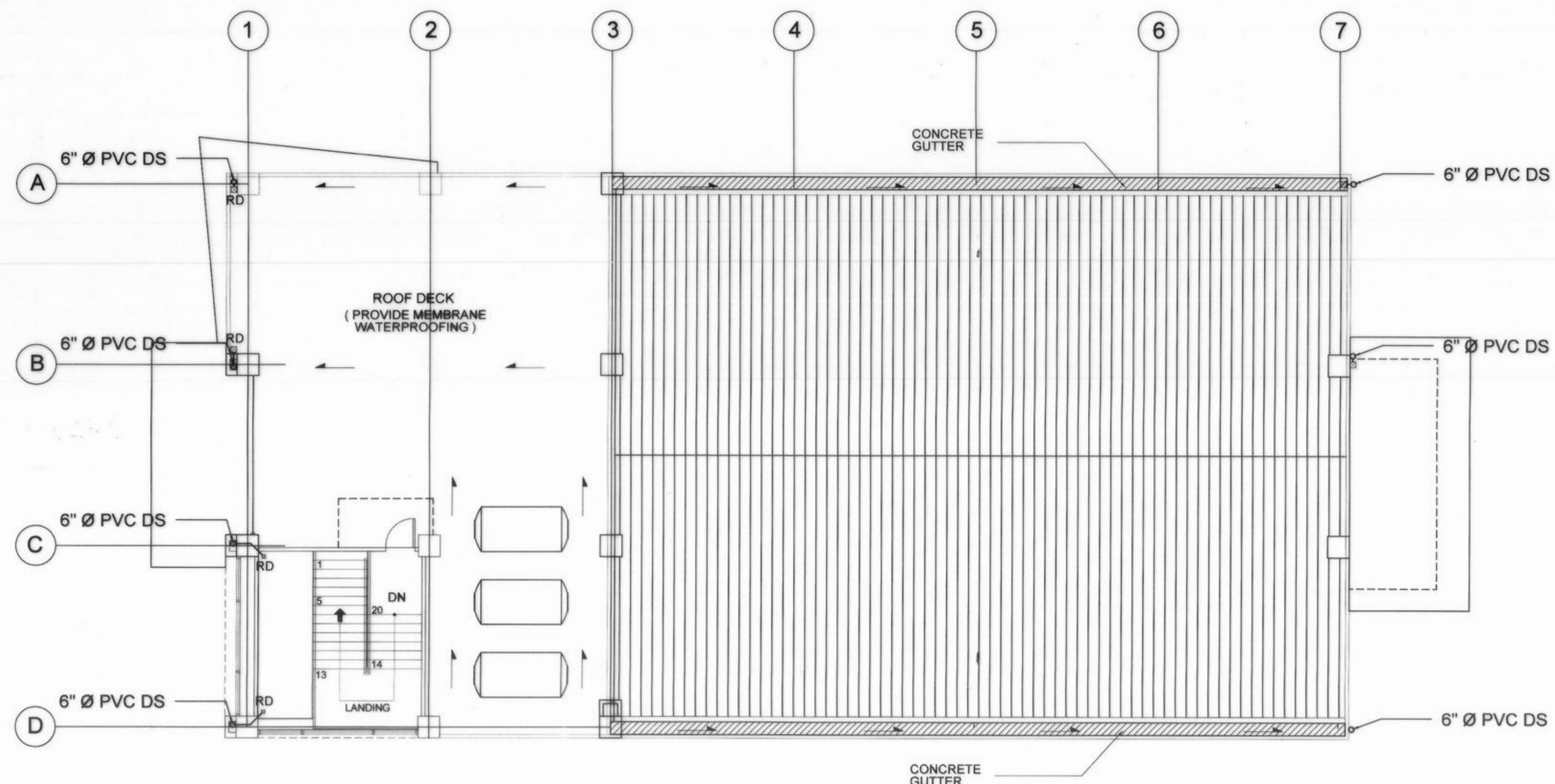
ALL SLOPES FOR HORIZONTAL BRANCHES SHALL MAINTAIN 1% AS MINIMUM UNLESS STATED OTHERWISE.

ALL SEWER LINES SHALL BE UPVC PIPE SERIES 1000 BY EMERALD OR EQUIVALENT.

ALL VENT PIPES SHALL BE UPVC PIPE SERIES 1000.

ALL DOWNSPOUTS SHALL BE PVC PIPE SERIES 1000.

ALL COLD WATER LINES SHALL BE PPR PN-20 TYPE THERMOVAR OR EQUIVLENT.



ROOF DECK STORM DRAINAGE LAYOUT

SCALE 1:100 M

LEGENDS & SYMBOLS

WATER SUPPLY DISTRIBUTION SYSTEM

- CWL COLD WATERLINE
- X — GV GATE VALVE
- N — CV CHECK VALVE
- F / SHO FAUCET & SHOWER RISER
- RISER

WASTEWATER COLLECTION SYSTEM

- SP SOIL PIPE
- VP VENT PIPE
- VP AC VENT PIPE ABOVE CEILING
- VPTW AC VENT THRU WALL ABOVE CL.
- VSAC VENT STACK ABOVE CL.
- CO CLEAN OUT
- FD FLOOR DRAIN
- PIPE STACK
- WC WATER CLOSET
- URI URINAL
- DP DRAIN PIPE
- DS DOWNSPOUT
- RD ROOF DRAIN
- CB CATCH BASIN



REPUBLIC OF THE PHILIPPINES
COMMISSION ON AUDIT
REGIONAL OFFICE NO. IX
CABATANGAN, ZAMBOANGA CITY

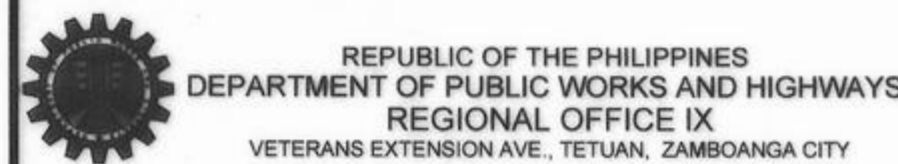
RECOMMENDING APPROVAL :

VISITACION Q. MENDOZA
DIRECTOR IV - REGIONAL DIRECTOR

AMELIA P. VALDEZ
DIRECTOR IV - GENERAL SERVICES OFFICE

APPROVED (BY THE AUTHORITY OF THE CHAIRPERSON) :

LORNA D. CABOCHAN
ASSISTANT COMMISSIONER - ADMINISTRATION SECTOR



REPUBLIC OF THE PHILIPPINES
DEPARTMENT OF PUBLIC WORKS AND HIGHWAYS
REGIONAL OFFICE IX
**COA REGIONAL OFFICE NO. IX
TRAINING CENTER AND
DORMITORY BUILDING**
CABATANGAN, ZAMBOANGA CITY

SHEET CONTENT:
ROOF DECK STORM DRAIN. LAYOUT
GENERAL NOTES
LEGENDS AND SYMBOLS


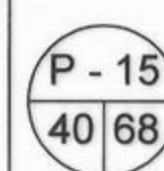
PREPARED:
AR-RAFIA SALUAN
REGISTERED SANITARY ENGINEER

REVIEWED:
PIO MARIO T. LACASTESANTOS
ENGINEER III
CHIEF, BRIDGE & OTHER PUBLIC WORKS DESIGN SECTION

SUBMITTED:
SATURNINO C. TORREFRANCA
DISTRICT ENGINEER
OIC - CHIEF, PLANNING & DESIGN DIVISION

RECOMMENDED:
KHADAFFY D. TANGGOL
ASSISTANT REGIONAL DIRECTOR

APPROVED:
CAYAMOMBAO D. DIA, CESO IV
REGIONAL DIRECTOR

SET NO.  SHEET NO.: 

GENERAL NOTES

ALL PLUMBING WORKS INCLUDED HEREIN SHALL BE EXECUTED ACCORDING TO THE REQUIREMENTS OF THE UNIFORM PLUMBING CODE OF THE PHILIPPINES AND THE RULES AND REGULATIONS OF THE GOVERNMENT. NOTHING CONTAINED ON THE DRAWING SHALL BE CONSTRUCTED AS TO CONFLICT WITH THE NATIONAL AND LOCAL ORDINANCES OR LAWS GOVERNING THE IMPLEMENTATION OF THE PLUMBING WORKS.

REFER TO ALL ELECTRICAL, STRUCTURAL, AND ARCHITECTURAL PLANS AND SPECIFICATIONS AND INVESTIGATE ALL POSSIBLE INTERFERENCES AND CONDITIONS AFFECTING PLUMBING WORKS.

THE ENGINEER AND ARCHITECT SHALL BE IMMEDIATELY NOTIFIED FOR ANY DISCREPANCY FOUND THEREIN.

PIPES SHALL BE WITH PRIOR APPROVAL OF THE ARCHITECT AND ENGINEER.

PROPOSED SANITARY UTILITIES SHALL CONFORM WITH THE ACTUAL LOCATION, DEPTH, AND INVERT ELEVATION OF ALL EXISTING PIPES STRUCTURE.

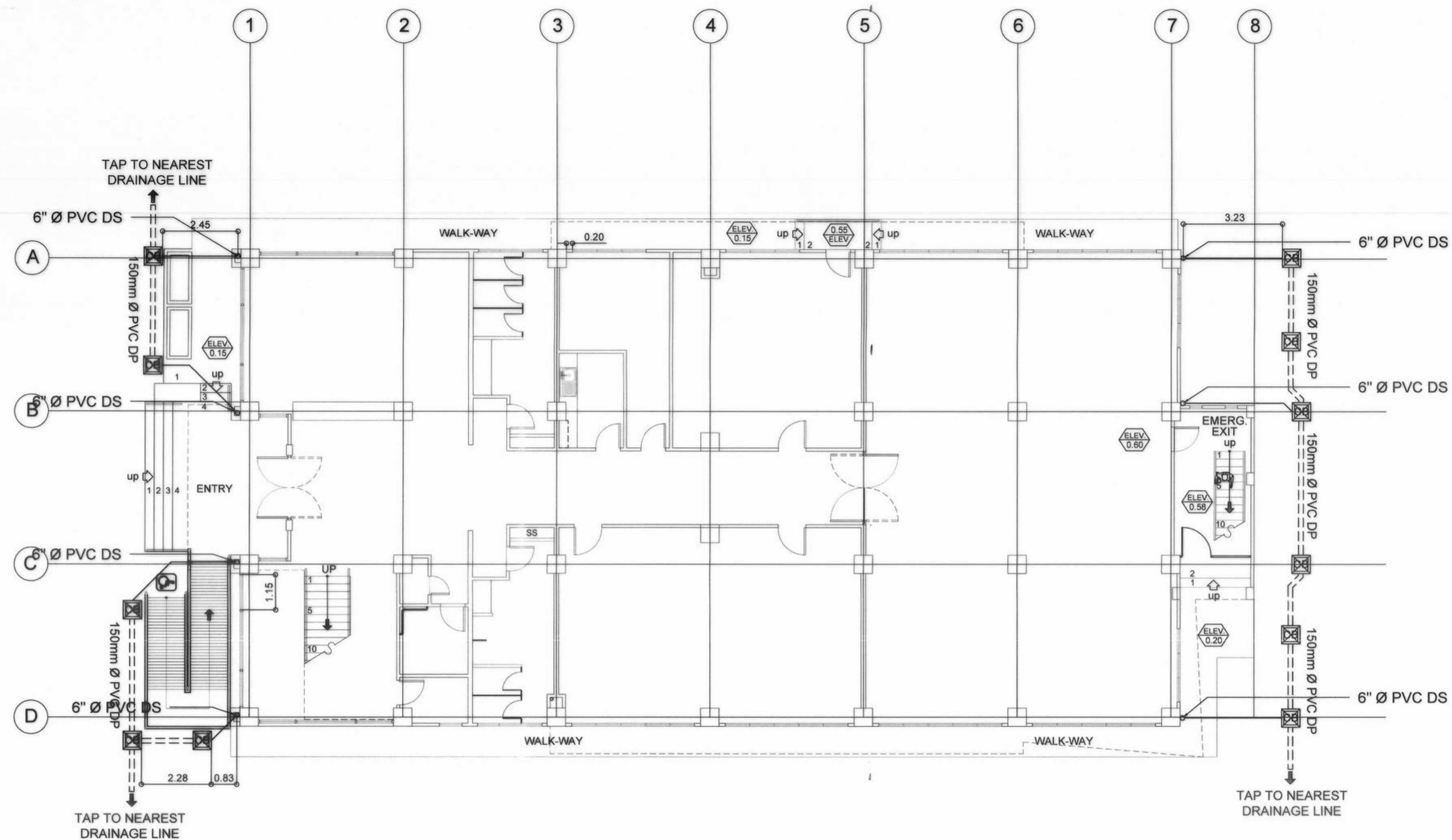
ALL SLOPES FOR HORIZONTAL BRANCHES SHALL MAINTAIN 1% AS MINIMUM UNLESS STATED OTHERWISE.

ALL SEWER LINES SHALL BE UPVC PIPE SERIES 1000 BY EMERALD OR EQUIVALENT.

ALL VENT PIPES SHALL BE UPVC PIPE SERIES 1000.

ALL DOWNSPOUTS SHALL BE PVC PIPE SERIES 1000.

ALL COLD WATER LINES SHALL BE PPR PN-20 TYPE THERMOVAR OR EQUIVALENT.



GROUND FLOOR STORM DRAINAGE LAYOUT
SCALE 1:100 M

LEGENDS & SYMBOLS

WATER SUPPLY DISTRIBUTION SYSTEM

- CWL COLD WATERLINE
- GV GATE VALVE
- CV CHECK VALVE
- F / SHO FAUCET & SHOWER RISER

WASTEWATER COLLECTION SYSTEM

- SP SOIL PIPE
- VP VENT PIPE
- VP AC VENT PIPE ABOVE CEILING
- VPTW AC VENT THRU WALL ABOVE CL.
- VSAC VENT STACK ABOVE CL.
- CO CLEAN OUT
- FD FLOOR DRAIN
- PIPE STACK PIPE STACK
- WC WATER CLOSET
- URI URINAL
- DP DRAIN PIPE
- DS DOWNSPOUT
- RD ROOF DRAIN
- CB CATCH BASIN



REPUBLIC OF THE PHILIPPINES
COMMISSION ON AUDIT
REGIONAL OFFICE NO. IX
CABATANGAN, ZAMBOANGA CITY

RECOMMENDING APPROVAL :

VISITACION Q. MENDOZA
DIRECTOR IV - REGIONAL DIRECTOR

AMELIA P. VALDEZ
DIRECTOR IV - GENERAL SERVICES OFFICE

APPROVED (BY THE AUTHORITY OF THE CHAIRPERSON) :

LORNA D. CABOCHAN
ASSISTANT COMMISSIONER - ADMINISTRATION SECTOR



REPUBLIC OF THE PHILIPPINES
DEPARTMENT OF PUBLIC WORKS AND HIGHWAYS
REGIONAL OFFICE IX
VETERANS EXTENSION AVE., TETUAN, ZAMBOANGA CITY

PROJECT & LOCATION:
**COA REGIONAL OFFICE NO. IX
TRAINING CENTER AND
DORMITORY BUILDING**
CABATANGAN, ZAMBOANGA CITY

SHEET CONTENT:

- GROUND FLOOR STORM -
- DRAINAGE LAYOUT
- GENERAL NOTES
- LEGENDS AND SYMBOLS

PREPARED:

AR-RAFI A. SALUAN
ENGINEERING AIDE
REGISTERED SANITARY ENGINEER

REVIEWED:

PIO MARIO T. LACASTESANTOS
ENGINEER III
CHIEF, BRIDGE & OTHER PUBLIC WORKS DESIGN SECTION

SUBMITTED:

SATURNINO C. TORREFRANCA
DISTRICT ENGINEER
OIC - CHIEF, PLANNING & DESIGN DIVISION

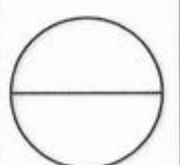
RECOMMENDED:

KHADAFFY D. LANGGOL
ASSISTANT REGIONAL DIRECTOR

APPROVED:

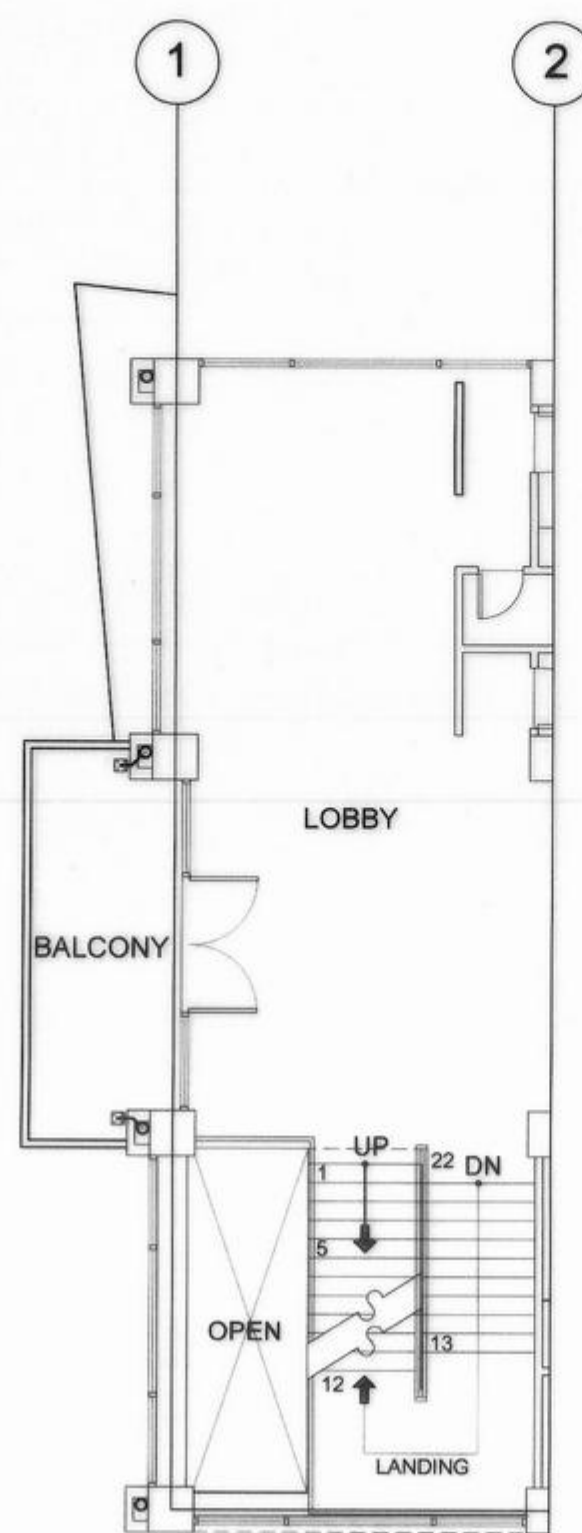
CAYAMOMBAO D. DIA, CESO IV
REGIONAL DIRECTOR

SET NO.



SHEET NO.:

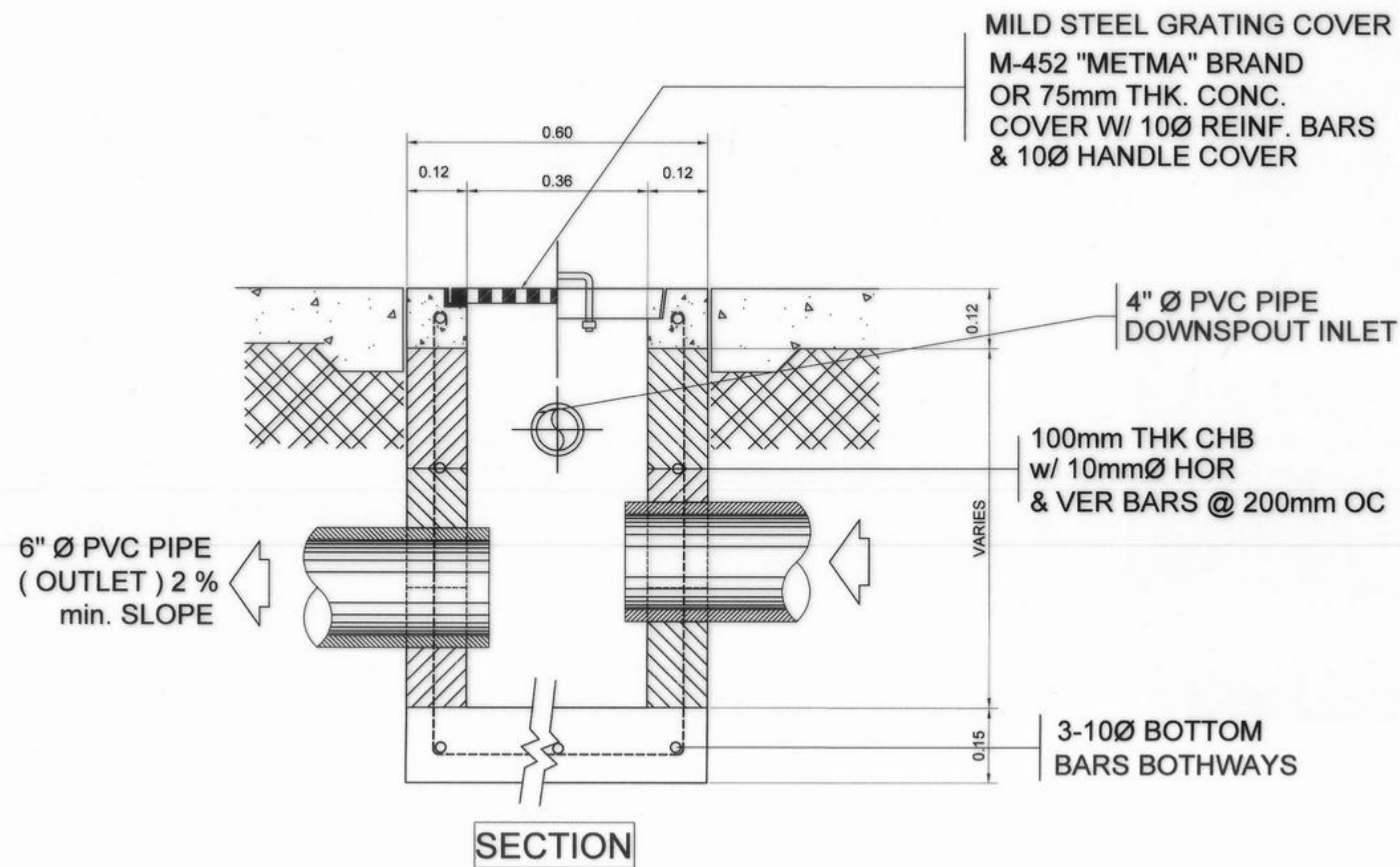
P - 16
4168



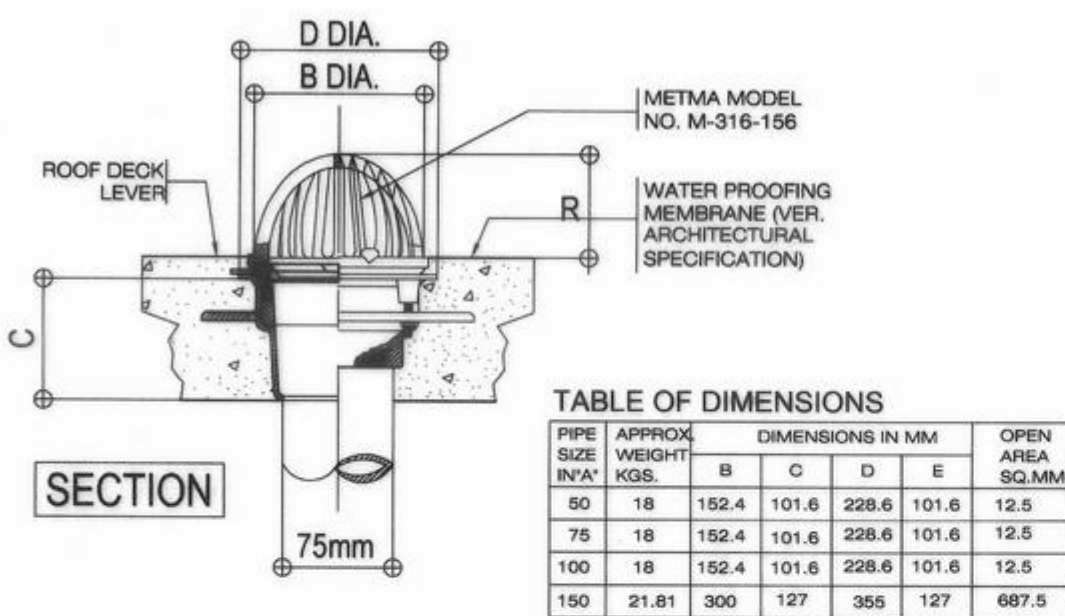
THIRD FLOOR STORM DRAINAGE LAYOUT
SCALE 1:100 M



SECOND FLOOR STORM DRAINAGE LAYOUT
SCALE 1:100 M



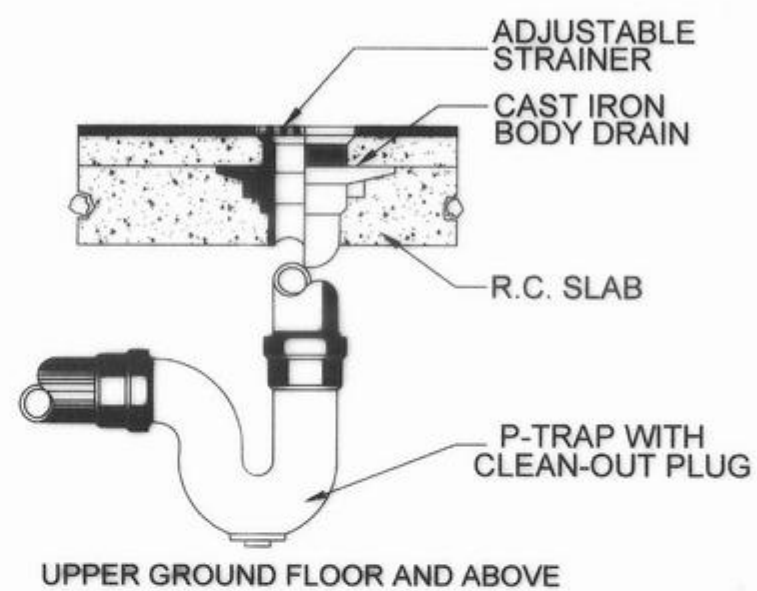
SECTION



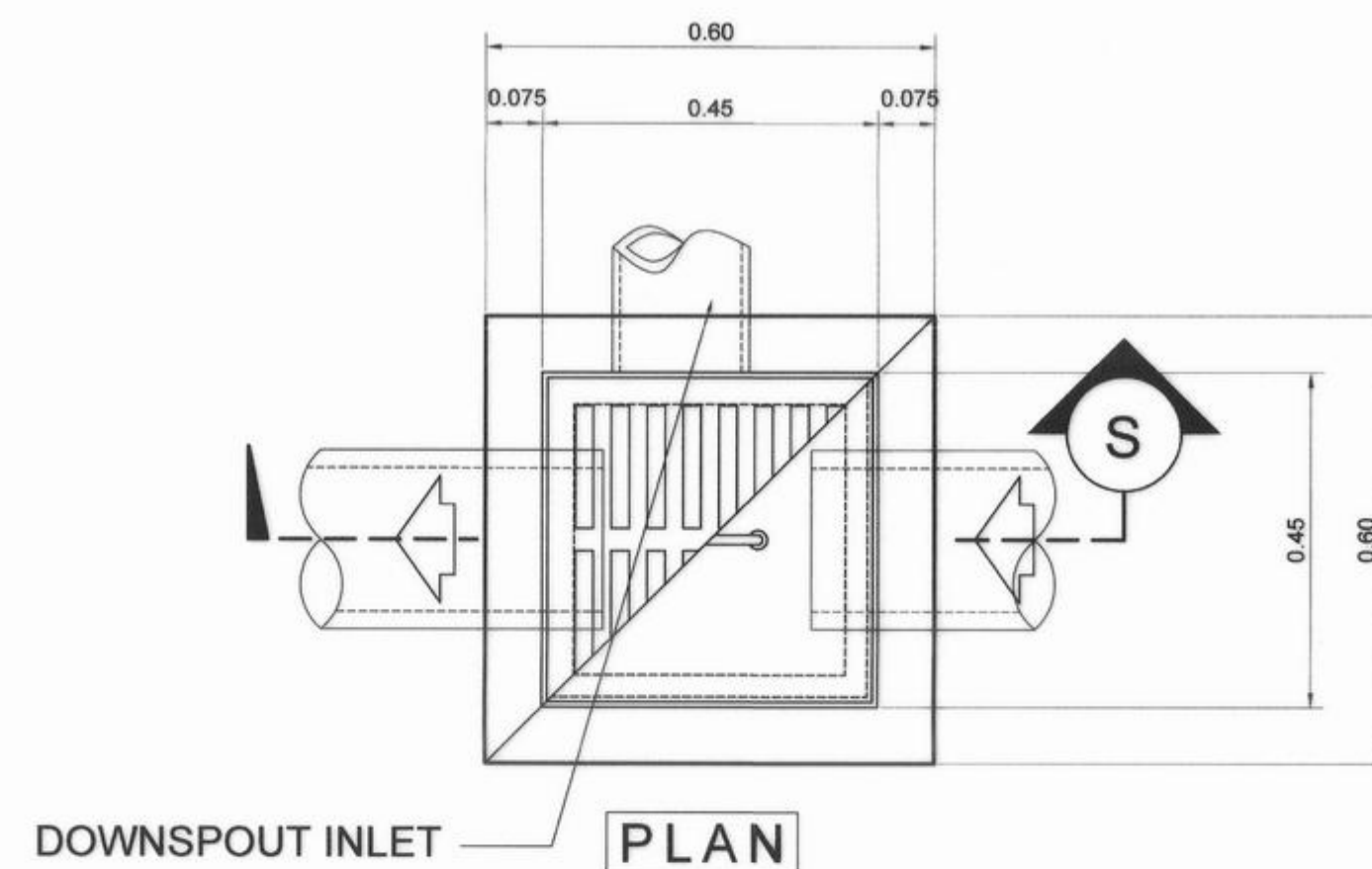
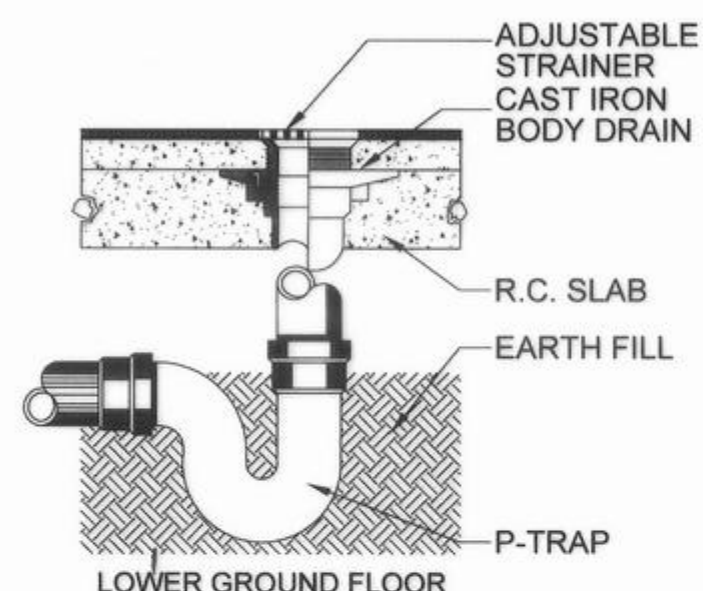
ROOF DRAIN DETAILS
SCALE NTS

TABLE OF DIMENSIONS

PIPE SIZE IN" x A'	APPROX WEIGHT KGS.	DIMENSIONS IN MM					OPEN AREA SQ.MM.
		B	C	D	E		
50	18	152.4	101.6	228.6	101.6	12.5	
75	18	152.4	101.6	228.6	101.6	12.5	
100	18	152.4	101.6	228.6	101.6	12.5	
150	21.81	300	127	355	127	687.5	



FLOOR DRAIN DETAILS
SCALE NTS



CATCH BASIN DETAILS
SCALE 1:10 MTRS



REPUBLIC OF THE PHILIPPINES
COMMISSION ON AUDIT
REGIONAL OFFICE NO. IX
CABATANGAN, ZAMBOANGA CITY

RECOMMENDING APPROVAL :

VISITACION Q. MENDOZA
DIRECTOR IV - REGIONAL DIRECTOR

AMELIA P. VALDEZ
DIRECTOR IV - GENERAL SERVICES OFFICE

APPROVED (BY THE AUTHORITY OF THE CHAIRPERSON) :

LORNA D. CABOCHAN
ASSISTANT COMMISSIONER - ADMINISTRATION SECTOR



REPUBLIC OF THE PHILIPPINES
DEPARTMENT OF PUBLIC WORKS AND HIGHWAYS
REGIONAL OFFICE IX
VETERANS EXTENSION AVE., TETUAN, ZAMBOANGA CITY

PROJECT & LOCATION:

**COA REGIONAL OFFICE NO. IX
TRAINING CENTER AND
DORMITORY BUILDING**
CABATANGAN, ZAMBOANGA CITY

SHEET CONTENT:

THIRD FLOOR STORM DRAIN. LAYOUT
SECOND FLOOR STORM DRAIN. LAYOUT
ROOF DRAIN DETAILS
FLOOR DRAIN DETAILS
CATCH BASIN DETAILS

PREPARED:

AR-RAFA A. SALUAN
ENGINEERING AIDE
REGISTERED SANITARY ENGINEER

REVIEWED:

PIO MARIO T. LACASTESANTOS
ENGINEER III
CHIEF, BRIDGE & OTHER PUBLIC WORKS DESIGN SECTION

SUBMITTED:

SATURNINO C. TORREFRANCA
DISTRICT ENGINEER
OIC - CHIEF, PLANNING & DESIGN DIVISION

RECOMMENDED:

KHADAFFY D. RANGGOL
ASSISTANT REGIONAL DIRECTOR

APPROVED:

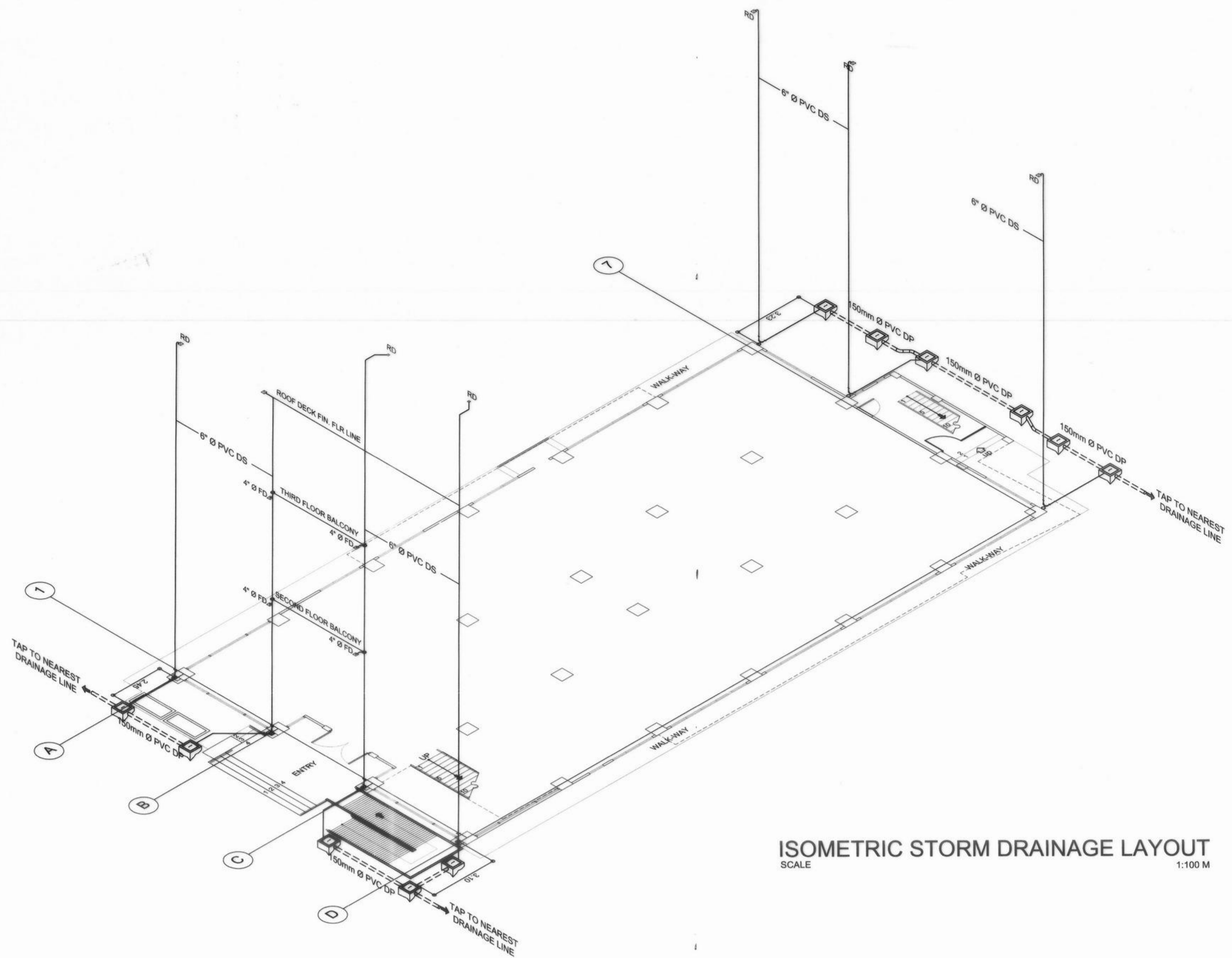
CAYAMOMBAO D. DIA, CESO IV
REGIONAL DIRECTOR

SET NO.



SHEET NO.:





ISOMETRIC STORM DRAINAGE LAYOUT
SCALE 1:100 M

GENERAL NOTES

ALL PLUMBING WORKS INCLUDED HEREIN SHALL BE EXECUTED ACCORDING TO THE REQUIREMENTS OF THE UNIFORM PLUMBING CODE OF THE PHILIPPINES AND THE RULES AND REGULATIONS OF THE GOVERNMENT. NOTHING CONTAINED ON THE DRAWING SHALL BE CONSTRUCTED AS TO CONFLICT WITH THE NATIONAL AND LOCAL ORDINANCES OR LAWS GOVERNING THE IMPLEMENTATION OF THE PLUMBING WORKS.

REFER TO ALL ELECTRICAL, STRUCTURAL, AND ARCHITECTURAL PLANS AND SPECIFICATIONS AND INVESTIGATE ALL POSSIBLE INTERFERENCES AND CONDITIONS AFFECTING PLUMBING WORKS.

THE ENGINEER AND ARCHITECT SHALL BE IMMEDIATELY NOTIFIED FOR ANY DISCREPANCY FOUND THEREIN.

PIPES SHALL BE WITH PRIOR APPROVAL OF THE ARCHITECT AND ENGINEER.

PROPOSED SANITARY UTILITIES SHALL CONFORM WITH THE ACTUAL LOCATION, DEPTH, AND INVERT ELEVATION OF ALL EXISTING PIPES STRUCTURE.

ALL SLOPES FOR HORIZONTAL BRANCHES SHALL MAINTAIN 1% AS MINIMUM UNLESS STATED OTHERWISE.

ALL SEWER LINES SHALL BE UPVC PIPE SERIES 1000 BY EMERALD OR EQUIVALENT.

ALL VENT PIPES SHALL BE UPVC PIPE SERIES 1000.

ALL DOWNSPOUTS SHALL BE PVC PIPE SERIES 1000.

ALL COLD WATER LINES SHALL BE PPR PN-20 TYPE THERMOVAR OR EQUIVALENT.

LEGENDS & SYMBOLS

- WATER SUPPLY DISTRIBUTION SYSTEM**
- CWL COLD WATERLINE
 - GV GATE VALVE
 - CV CHECK VALVE
 - F / SHO FAUCET & SHOWER RISER
- WASTEWATER COLLECTION SYSTEM**
- SP SOIL PIPE
 - VP VENT PIPE
 - VP AC VENT PIPE ABOVE CEILING
 - VPTW AC VENT THRU WALL ABOVE CL.
 - VSAC VENT STACK ABOVE CL.
 - CO CLEAN OUT
 - FD FLOOR DRAIN
 - PIPE STACK PIPE STACK
 - WC WATER CLOSET
 - URI URINAL
 - DP DRAIN PIPE
 - DS DOWNSPOUT
 - RD ROOF DRAIN
 - CB CATCH BASIN



REPUBLIC OF THE PHILIPPINES
COMMISSION ON AUDIT
REGIONAL OFFICE NO. IX
CABATANGAN, ZAMBOANGA CITY

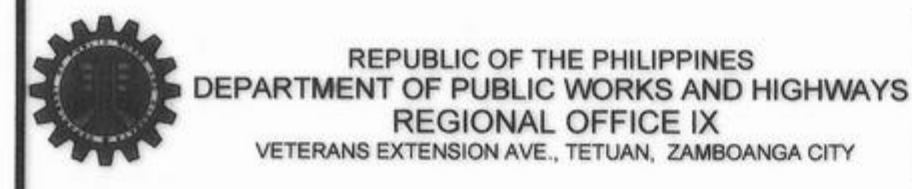
RECOMMENDING APPROVAL :

VISITACION Q. MENDOZA
DIRECTOR IV - REGIONAL DIRECTOR

AMELIA P. VALDEZ
DIRECTOR IV - GENERAL SERVICES OFFICE

APPROVED (BY THE AUTHORITY OF THE CHAIRPERSON):

LORNA D. CABOCHAN
ASSISTANT COMMISSIONER - ADMINISTRATION SECTOR



PROJECT & LOCATION:
**COA REGIONAL OFFICE NO. IX
TRAINING CENTER AND
DORMITORY BUILDING**
CABATANGAN, ZAMBOANGA CITY

SHEET CONTENT:

ISOMETRIC STORM DRAINAGE LAYOUT
GENERAL NOTES
LEGENDS AND SYMBOLS

PREPARED:
AR-RAFA A. SALUAN
ENGINEERING AIDE
REGISTERED SANITARY ENGINEER

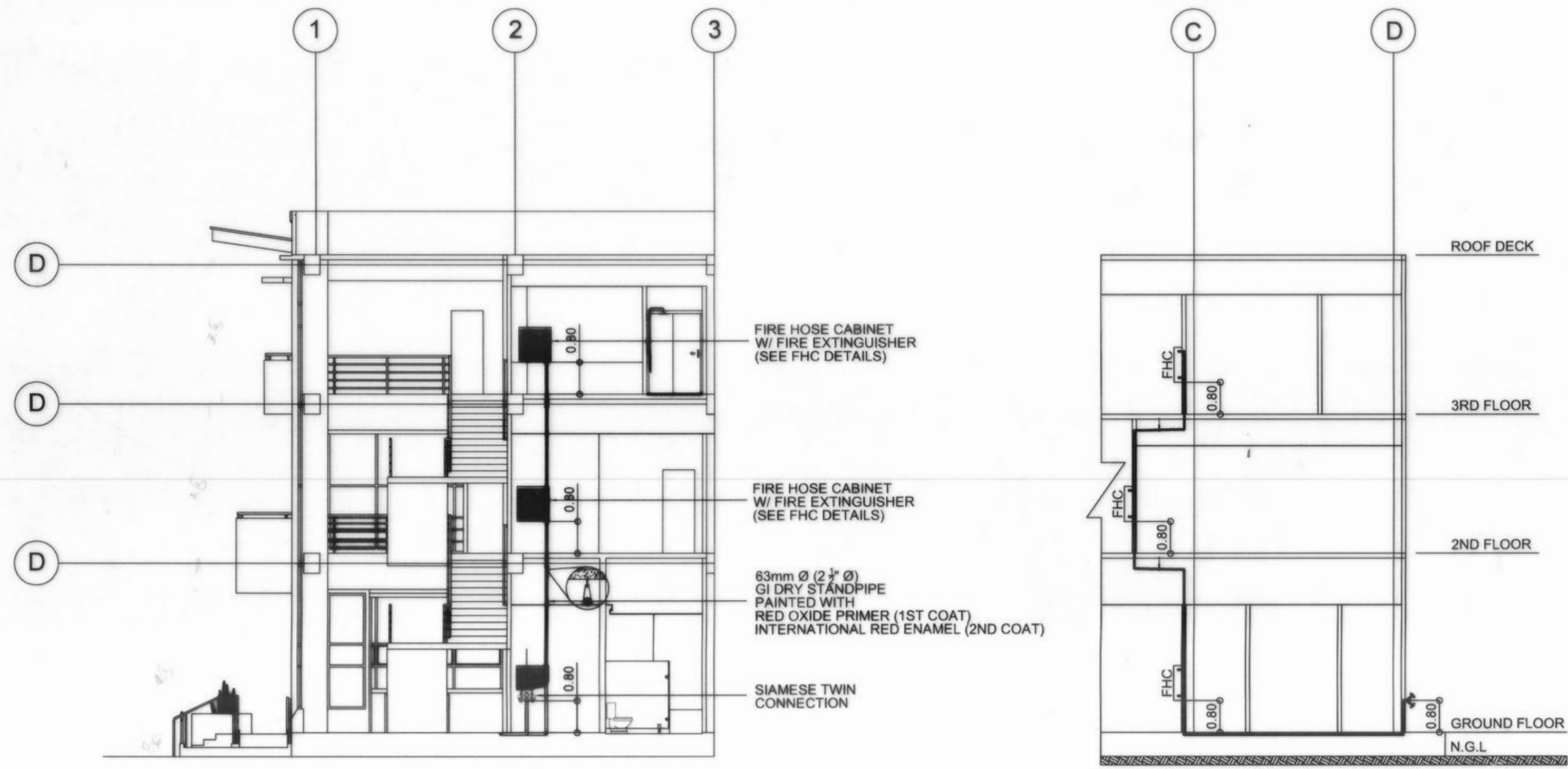
REVIEWED:
PIO MARIO T. LACASTESANTOS
ENGINEER III
CHIEF, BRIDGE & OTHER PUBLIC WORKS DESIGN SECTION

SUBMITTED:
SATURNINO C. TORREFRANCA
DISTRICT ENGINEER
OIC - CHIEF, PLANNING & DESIGN DIVISION

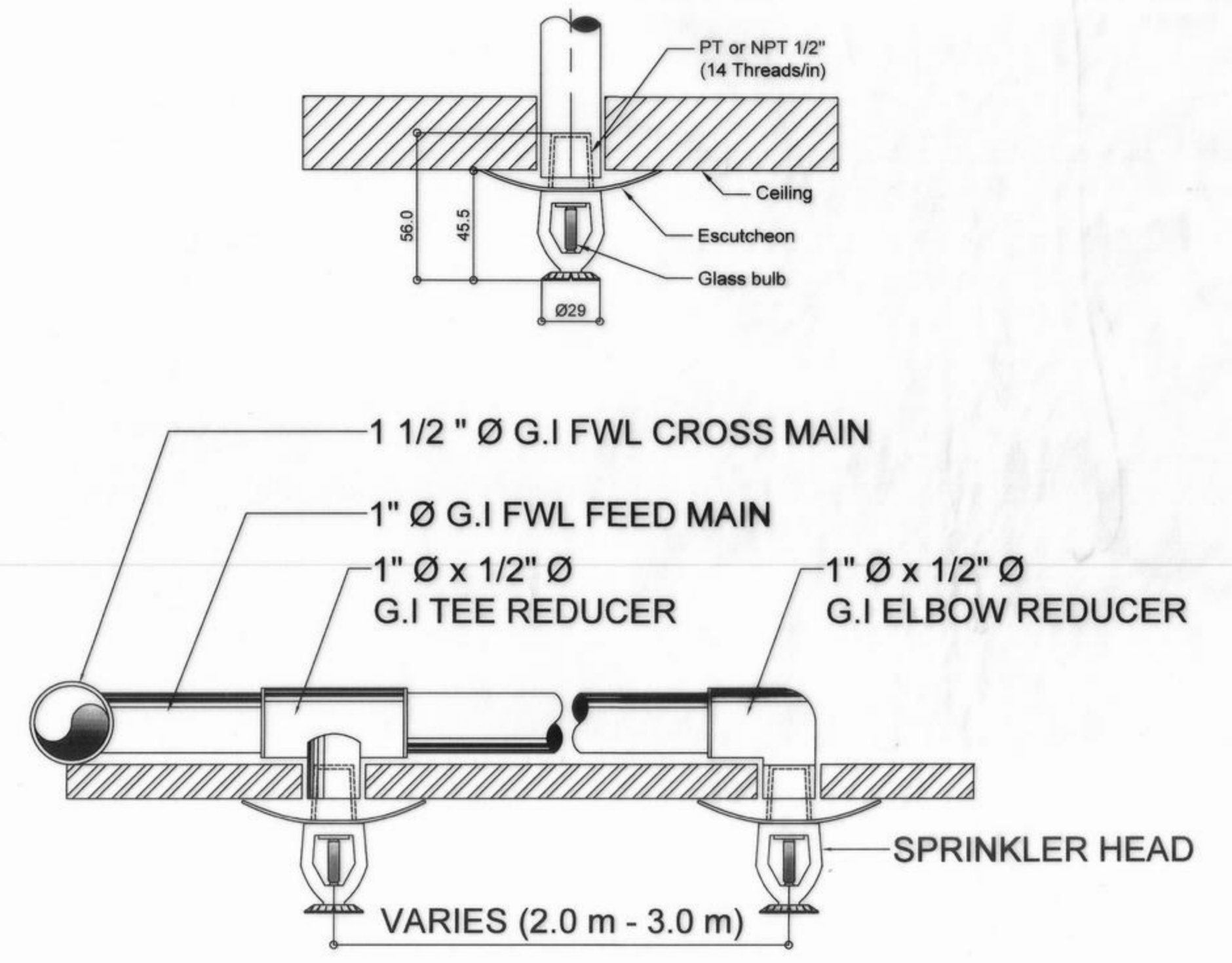
RECOMMENDED:
KHADAFFY D. TANGGOL
ASSISTANT REGIONAL DIRECTOR

APPROVED:
CAYAMOMBAYO D. DIA, CESO IV
REGIONAL DIRECTOR

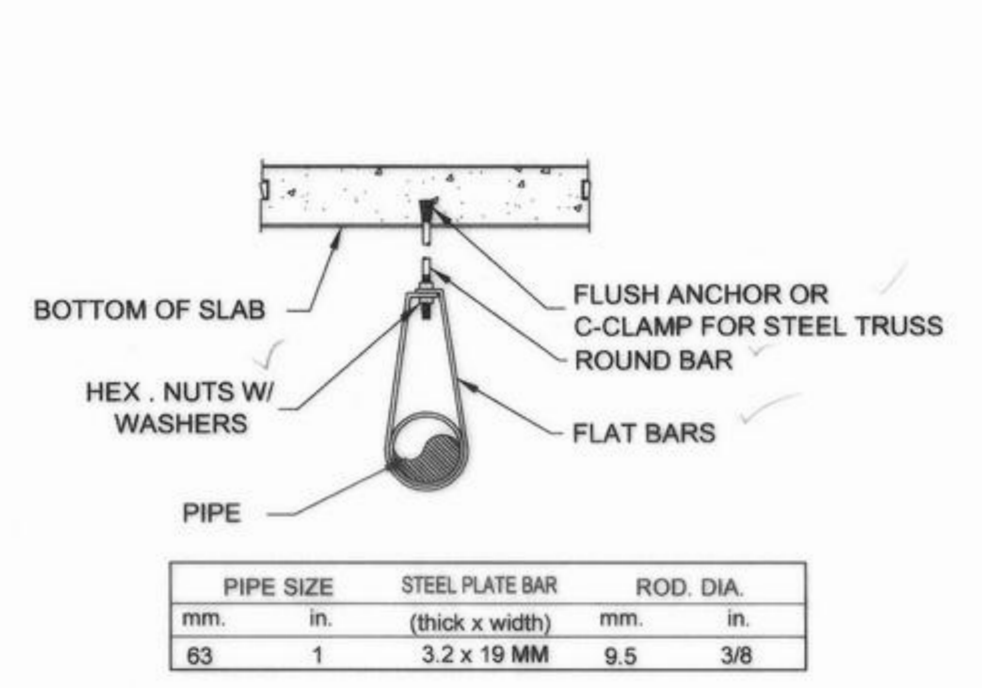
SET NO.	SHEET NO.:
	P - 18 43 68



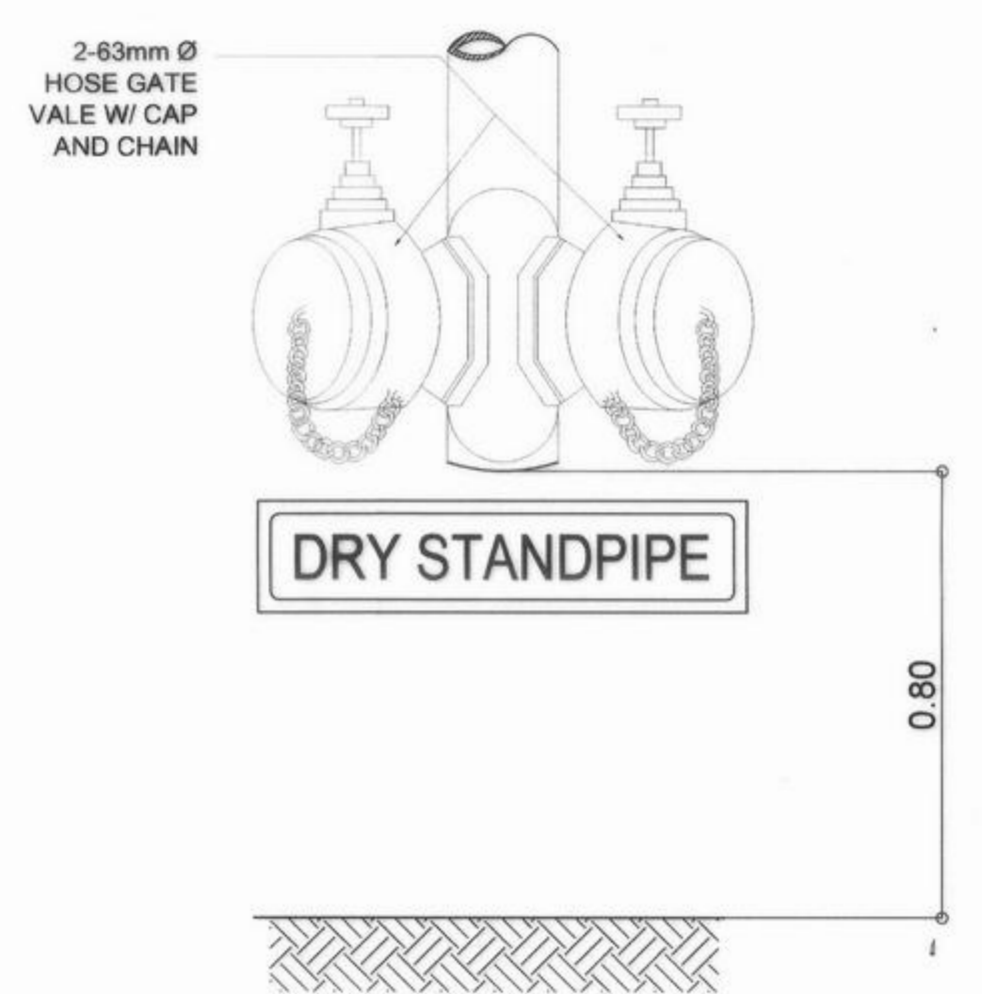
DRY STANDPIPE RISER DIAGRAM
SCALE NTS



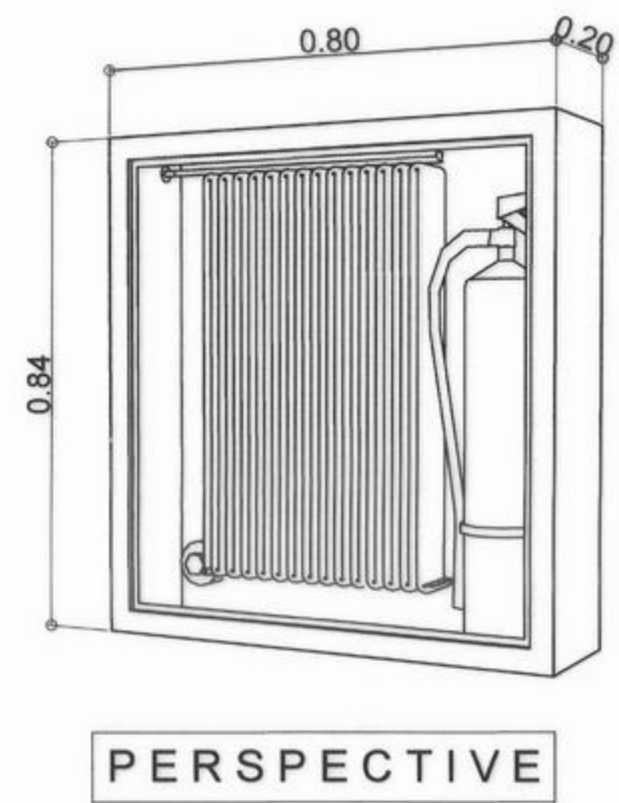
FIRE SPRINKLER CONNECTION DETAILS
SCALE NTS



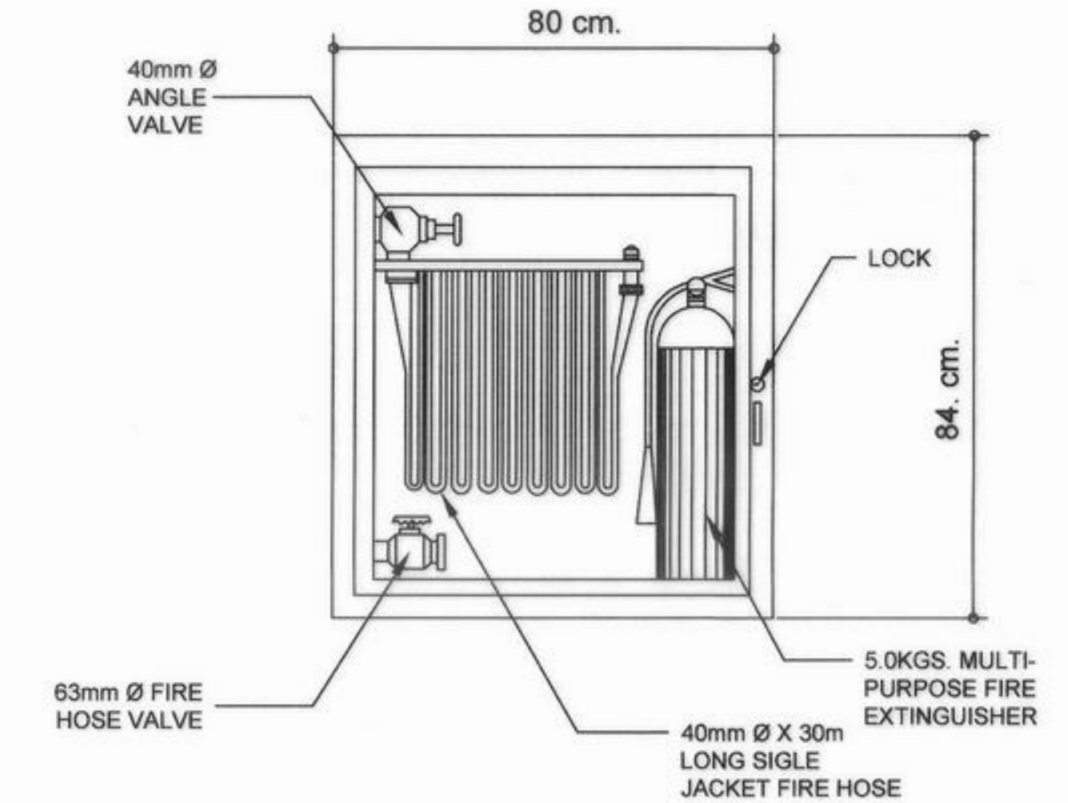
ADJUSTABLE TYPE FLAT IRON HANGER
SCALE NTS



FIRE DEPT'. CONNECTION DETAILS
SCALE NTS

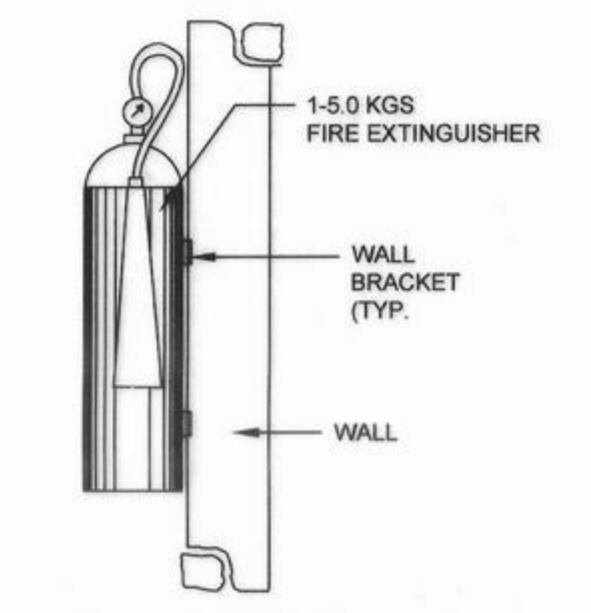


PERSPECTIVE

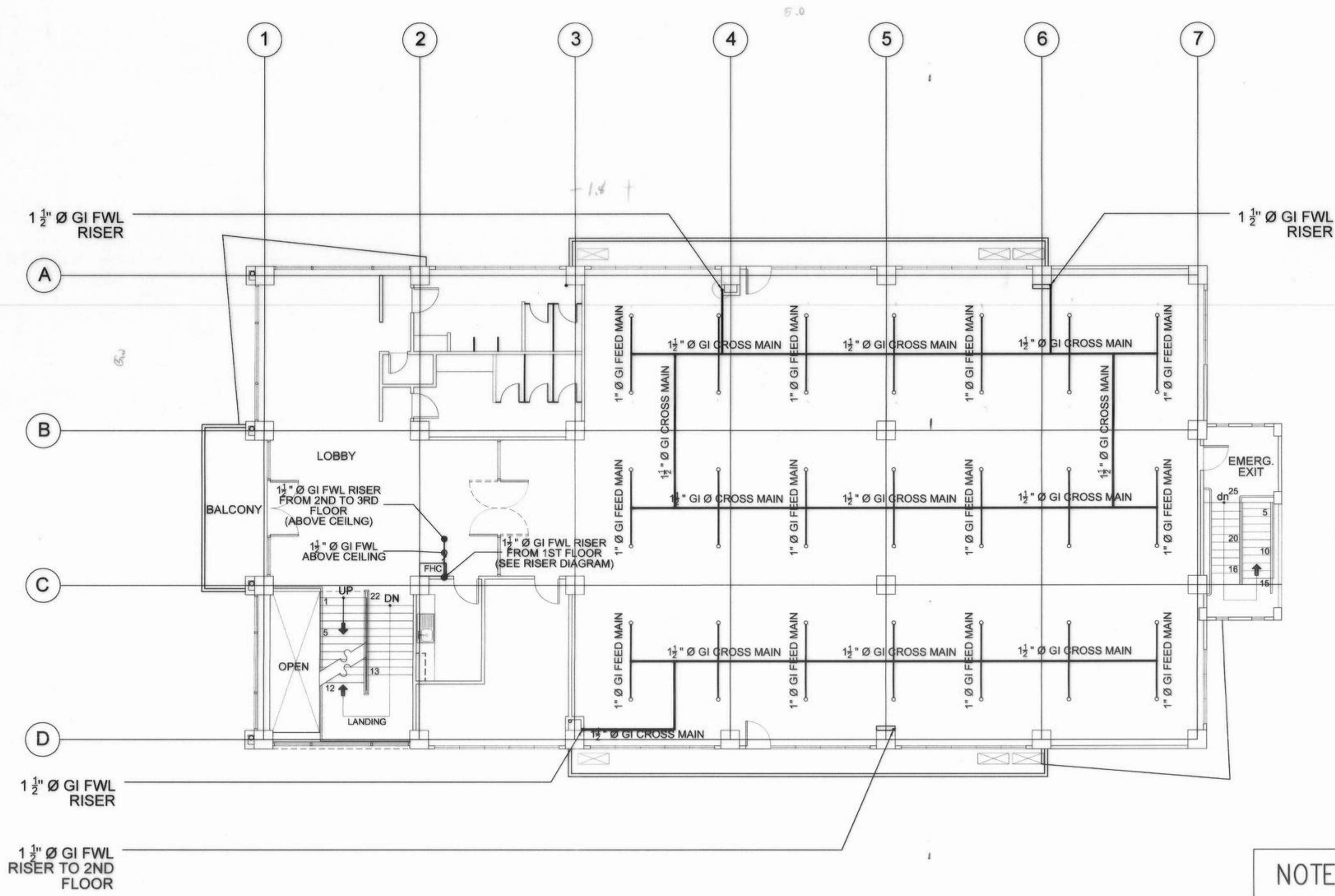


FIRE HOSE CABINET

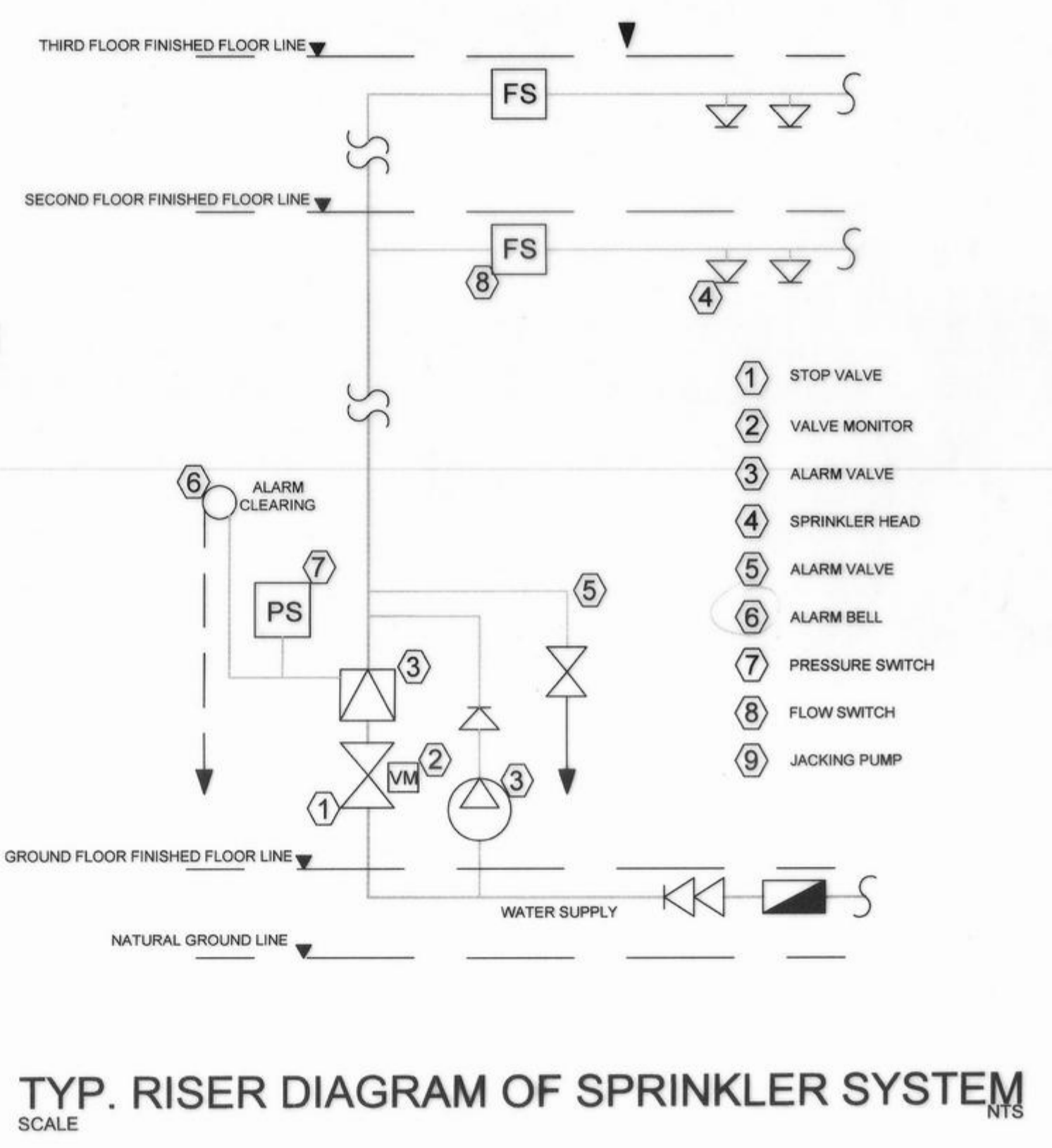
FIRE HOSE CABINET DETAILS
SCALE NTS



FIRE EXTINGUISHER



THIRD FLOOR FIRE PROTECTION LAYOUT
SCALE 1:100 M



TYP. RISER DIAGRAM OF SPRINKLER SYSTEM
SCALE NTS

NOTES

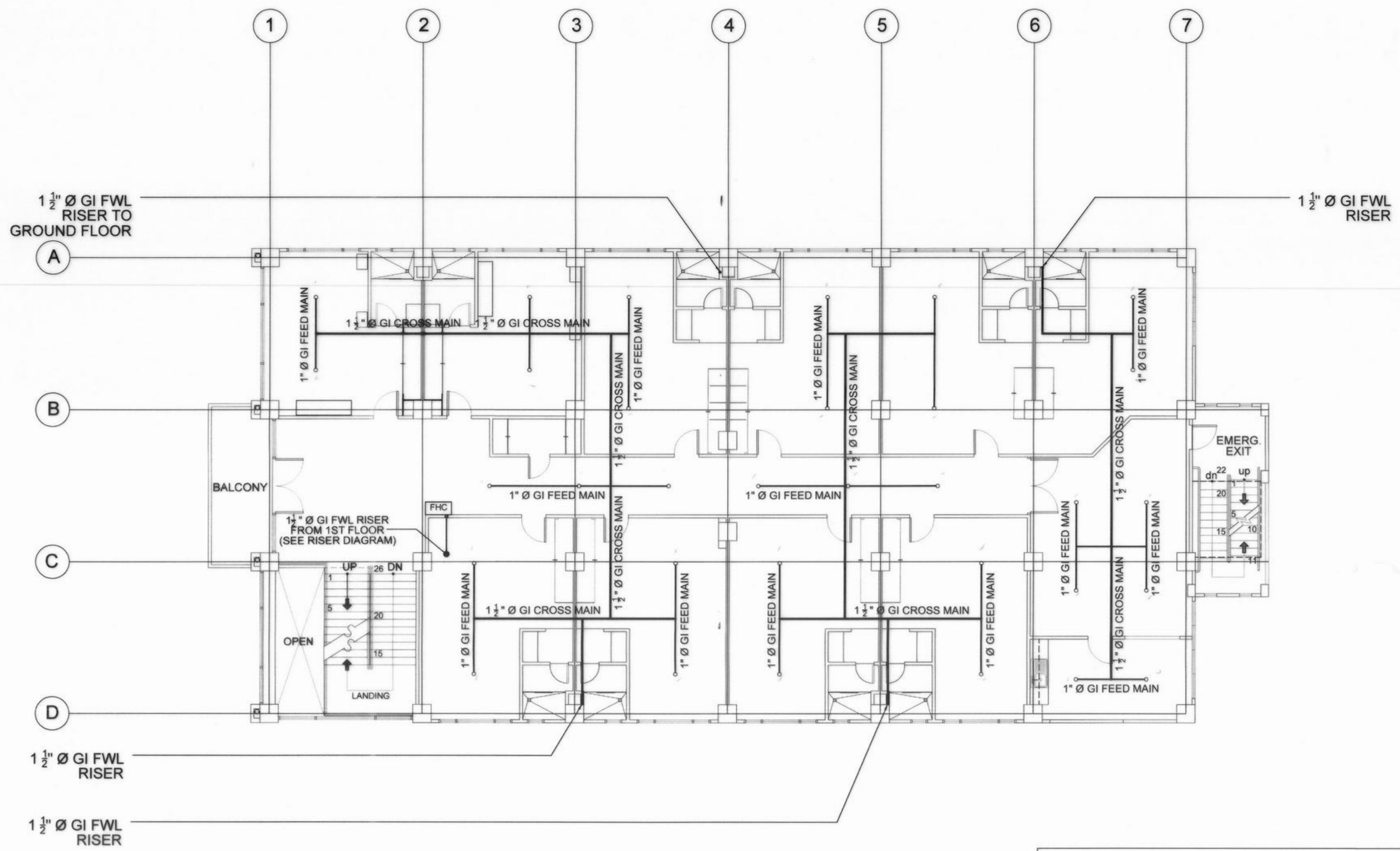
ALL FIRE WATER LINES SHALL BE OF G.I SCHEDULE 40.

ALL FIRE WATER LINES AND STANDPIPES SHALL BE PAINTED WITH WITH RED OXIDE PRIMER FOR ITS FIRST COATING AND INTERNATIONAL RED ENAMEL PAINT ON ITS SECOND COATING.

LEGEND



- SPRINKLER HEAD
- ▲ SIAMESE TWIN
- 1 1/2 Ø CROSS MAIN
- 1 Ø FEED MAIN
- 1 1/2 Ø DRY STANDPIPE
- FHC FIRE HOSE CABINET

<p>REPUBLIC OF THE PHILIPPINES COMMISSION ON AUDIT REGIONAL OFFICE NO. IX CABATANGAN, ZAMBOANGA CITY</p>	<p>RECOMMENDING APPROVAL :</p> <p>VISITACION Q. MENDOZA DIRECTOR IV - REGIONAL DIRECTOR</p> <p>AMELIA P. VALDEZ DIRECTOR IV - GENERAL SERVICES OFFICE</p>		<p>APPROVED (BY THE AUTHORITY OF THE CHAIRPERSON) :</p> <p>LORNA D. CABOCHAN ASSISTANT COMMISSIONER - ADMINISTRATION SECTOR</p>					
	<p>PROJECT & LOCATION:</p> <p>COA REGIONAL OFFICE NO. IX TRAINING CENTER AND DORMITORY BUILDING CABATANGAN, ZAMBOANGA CITY</p>	<p>SHEET CONTENT:</p> <p>THIRD FLOOR FIRE - PROTECTION LAYOUT TYP. RISER DIAGRAM OF SP. SYSTEM NOTES AND LEGEND</p>	<p>PREPARED:</p> <p><i>Ar-Rafi A. Saluan</i> AR-RAFI A. SALUAN ENGINEERING AIDE REGISTERED SANITARY ENGINEER</p>	<p>REVIEWED:</p> <p><i>Pio Mariot Lacastasantos</i> PIO MARIOT LACASTASANTOS ENGINEER III CHIEF, BRIDGE & OTHER PUBLIC WORKS DESIGN SECTION</p>	<p>SUBMITTED:</p> <p><i>Saturnino C. Torrefranca</i> SATURNINO C. TORREFRANCA DISTRICT ENGINEER DIC - CHIEF, PLANNING & DESIGN DIVISION</p>	<p>RECOMMENDED:</p> <p><i>Khadaffy D. Tanggol</i> KHADAFFY D. TANGGOL ASSISTANT REGIONAL DIRECTOR</p>	<p>APPROVED:</p> <p><i>Cayamombao D. Dia</i> CAYAMOMBAO D. DIA, CESO IV REGIONAL DIRECTOR</p>	<p>SET NO.</p> <p>○</p>



SECOND FLOOR FIRE PROTECTION LAYOUT
SCALE 1:100 M

<p>NOTES</p> <p>ALL FIRE WATER LINES SHALL BE OF G.I SCHEDULE 40.</p> <p>ALL FIRE WATER LINES AND STANDPIPES SHALL BE PAINTED WITH WITH RED OXIDE PRIMER FOR ITS FIRST COATING AND INTERNATIONAL RED ENAMEL PAINT ON ITS SECOND COATING.</p>	<p>LEGEND</p> <ul style="list-style-type: none"> ○ SPRINKLER HEAD ▲ SIAMESE TWIN — 1 1/2 Ø CROSS MAIN — 1 Ø FEED MAIN — 1 1/2 Ø DRY STANDPIPE FHC FIRE HOSE CABINET
---	--

 <p>REPUBLIC OF THE PHILIPPINES COMMISSION ON AUDIT REGIONAL OFFICE NO. IX CABATANGAN, ZAMBOANGA CITY</p>	<p>RECOMMENDING APPROVAL :</p> <p>VISITACION Q. MENDOZA DIRECTOR IV - REGIONAL DIRECTOR</p> <p>AMELIA P. VALDEZ DIRECTOR IV - GENERAL SERVICES OFFICE</p>	<p>APPROVED (BY THE AUTHORITY OF THE CHAIRPERSON):</p> <p>LORNA D. CABOCHAN ASSISTANT COMMISSIONER - ADMINISTRATION SECTOR</p>							
 <p>REPUBLIC OF THE PHILIPPINES DEPARTMENT OF PUBLIC WORKS AND HIGHWAYS REGIONAL OFFICE IX VETERANS EXTENSION AVE., TETUAN, ZAMBOANGA CITY</p>	<p>PROJECT & LOCATION:</p> <p>COA REGIONAL OFFICE NO. IX TRAINING CENTER AND DORMITORY BUILDING CABATANGAN, ZAMBOANGA CITY</p>	<p>SHEET CONTENT:</p> <p>SECOND FLOOR FIRE - PROTECTION LAYOUT NOTES AND LEGEND</p>	<p>PREPARED:</p> <p><i>Ar-Rafiq A. Saluan</i> AR-RAFIQ A. SALUAN ENGINEERING AIDE REGISTERED SANITARY ENGINEER</p>	<p>REVIEWED:</p> <p><i>Pio Mario T. Lacastesantos</i> PIO MARIO T. LACASTESANTOS ENGINEER III CHIEF, BRIDGE & OTHER PUBLIC WORKS DESIGN SECTION</p>	<p>SUBMITTED:</p> <p><i>Saturnino C. Torrefranca</i> SATURNINO C. TORREFRANCA DISTRICT ENGINEER D/C - CHIEF, PLANNING & DESIGN DIVISION</p>	<p>RECOMMENDED:</p> <p><i>Khadaffy D. Tanggol</i> KHADAFFY D. TANGGOL ASSISTANT REGIONAL DIRECTOR</p>	<p>APPROVED:</p> <p><i>Cayamombao D. Dia</i> CAYAMOMBAO D. DIA, CESO IV REGIONAL DIRECTOR</p>	<p>SET NO.</p> <p>○</p>	<p>SHEET NO.:</p> <p>P - 21 46 68</p>

GENERAL NOTES

ALL PLUMBING WORKS INCLUDED HEREIN SHALL BE EXECUTED ACCORDING TO THE REQUIREMENTS OF THE UNIFORM PLUMBING CODE OF THE PHILIPPINES AND THE RULES AND REGULATIONS OF THE GOVERNMENT. NOTHING CONTAINED ON THE DRAWING SHALL BE CONSTRUCTED AS TO CONFLICT WITH THE NATIONAL AND LOCAL ORDINANCES OR LAWS GOVERNING THE IMPLEMENTATION OF THE PLUMBING WORKS.

REFER TO ALL ELECTRICAL, STRUCTURAL, AND ARCHITECTURAL PLANS AND SPECIFICATIONS AND INVESTIGATE ALL POSSIBLE INTERFERENCES AND CONDITIONS AFFECTING PLUMBING WORKS.

THE ENGINEER AND ARCHITECT SHALL BE IMMEDIATELY NOTIFIED FOR ANY DISCREPANCY FOUND THEREIN.

PIPES SHALL BE WITH PRIOR APPROVAL OF THE ARCHITECT AND ENGINEER.

PROPOSED SANITARY UTILITIES SHALL CONFORM WITH THE ACTUAL LOCATION, DEPTH, AND INVERT ELEVATION OF ALL EXISTING PIPES STRUCTURE.

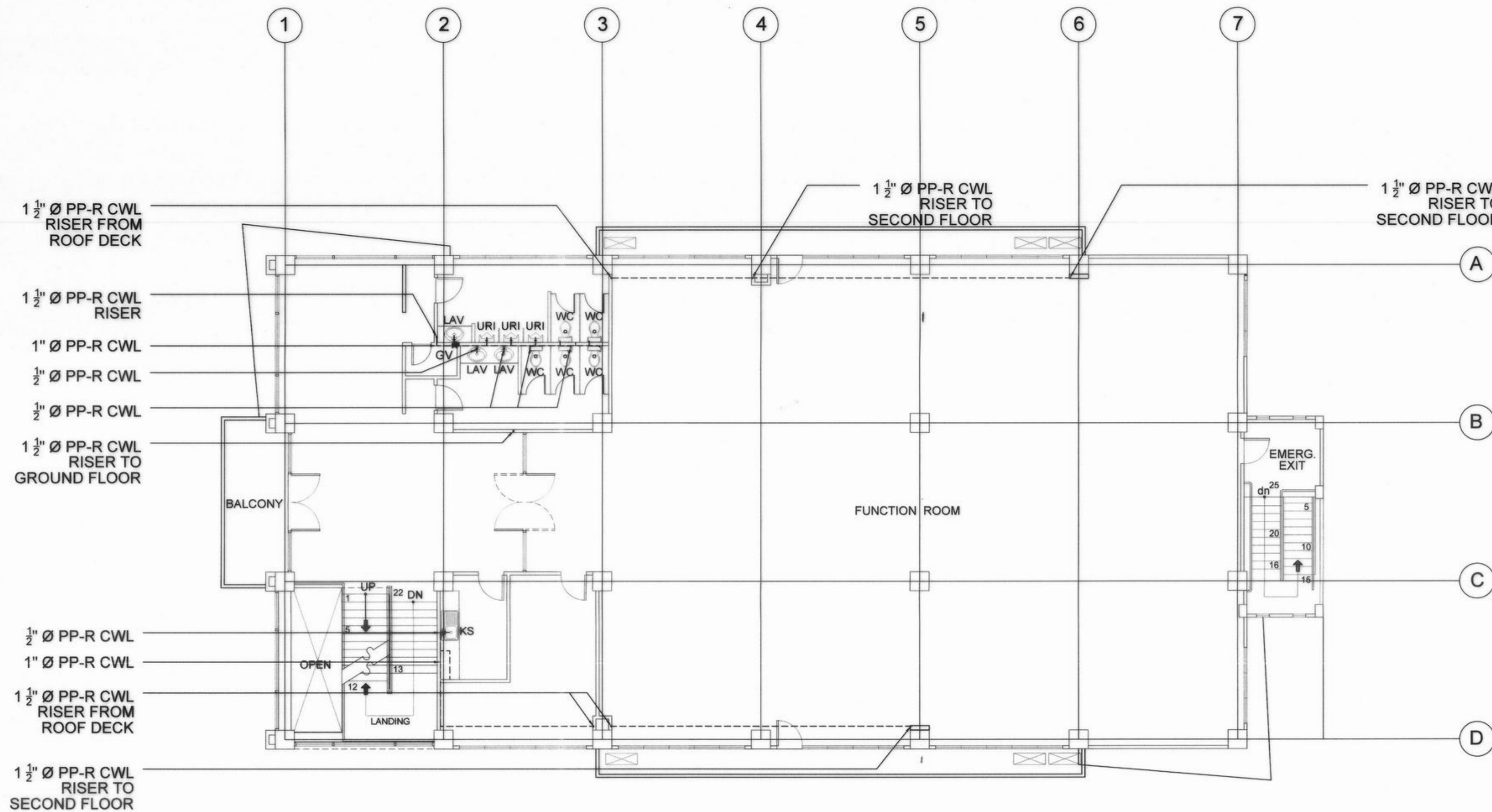
ALL SLOPES FOR HORIZONTAL BRANCHES SHALL MAINTAIN 1% AS MINIMUM UNLESS STATED OTHERWISE.

ALL SEWER LINES SHALL BE UPVC PIPE SERIES 1000 BY EMERALD OR EQUIVALENT.

ALL VENT PIPES SHALL BE UPVC PIPE SERIES 1000.

ALL DOWNSPOUTS SHALL BE PVC PIPE SERIES 1000.

ALL COLD WATER LINES SHALL BE PPR PN-20 TYPE THERMOVAR OR EQUIVALENT.



THIRD FLOOR WATERLINE LAYOUT
SCALE 1:100 M

LEGENDS & SYMBOLS

WATER SUPPLY DISTRIBUTION SYSTEM

- CWL COLD WATERLINE
- GV GATE VALVE
- CV CHECK VALVE
- F / SHO FAUCET & SHOWER RISER

WASTEWATER COLLECTION SYSTEM

- SP SOIL PIPE
- VP VENT PIPE
- VP AC VENT PIPE ABOVE CEILING
- VPTW AC VENT THRU WALL ABOVE CL.
- VSAC VENT STACK ABOVE CL.
- CO CLEAN OUT
- FD FLOOR DRAIN
- PIPE STACK PIPE STACK
- WC WATER CLOSET
- URI URINAL
- DP DRAIN PIPE
- DS DOWNSPOUT
- RD ROOF DRAIN
- CB CATCH BASIN



REPUBLIC OF THE PHILIPPINES
COMMISSION ON AUDIT
REGIONAL OFFICE NO. IX
CABATANGAN, ZAMBOANGA CITY

RECOMMENDING APPROVAL :

VISITACION Q. MENDOZA
DIRECTOR IV - REGIONAL DIRECTOR

AMELIA P. VALDEZ
DIRECTOR IV - GENERAL SERVICES OFFICE

APPROVED (BY THE AUTHORITY OF THE CHAIRPERSON) :

LORNA D. CABOCHAN
ASSISTANT COMMISSIONER - ADMINISTRATION SECTOR



REPUBLIC OF THE PHILIPPINES
DEPARTMENT OF PUBLIC WORKS AND HIGHWAYS
REGIONAL OFFICE IX
VETERANS EXTENSION AVE., TETUAN, ZAMBOANGA CITY

PROJECT & LOCATION:
**COA REGIONAL OFFICE NO. IX
TRAINING CENTER AND
DORMITORY BUILDING**
CABATANGAN, ZAMBOANGA CITY

SHEET CONTENT:
THIRD FLOOR WATER LINE LAYOUT
GENERAL NOTES
LEGENDS AND SYMBOLS

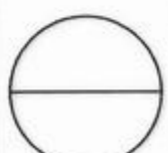
PREPARED:
AR-RAFA A. SALUAN
REGISTERED SANITARY ENGINEER

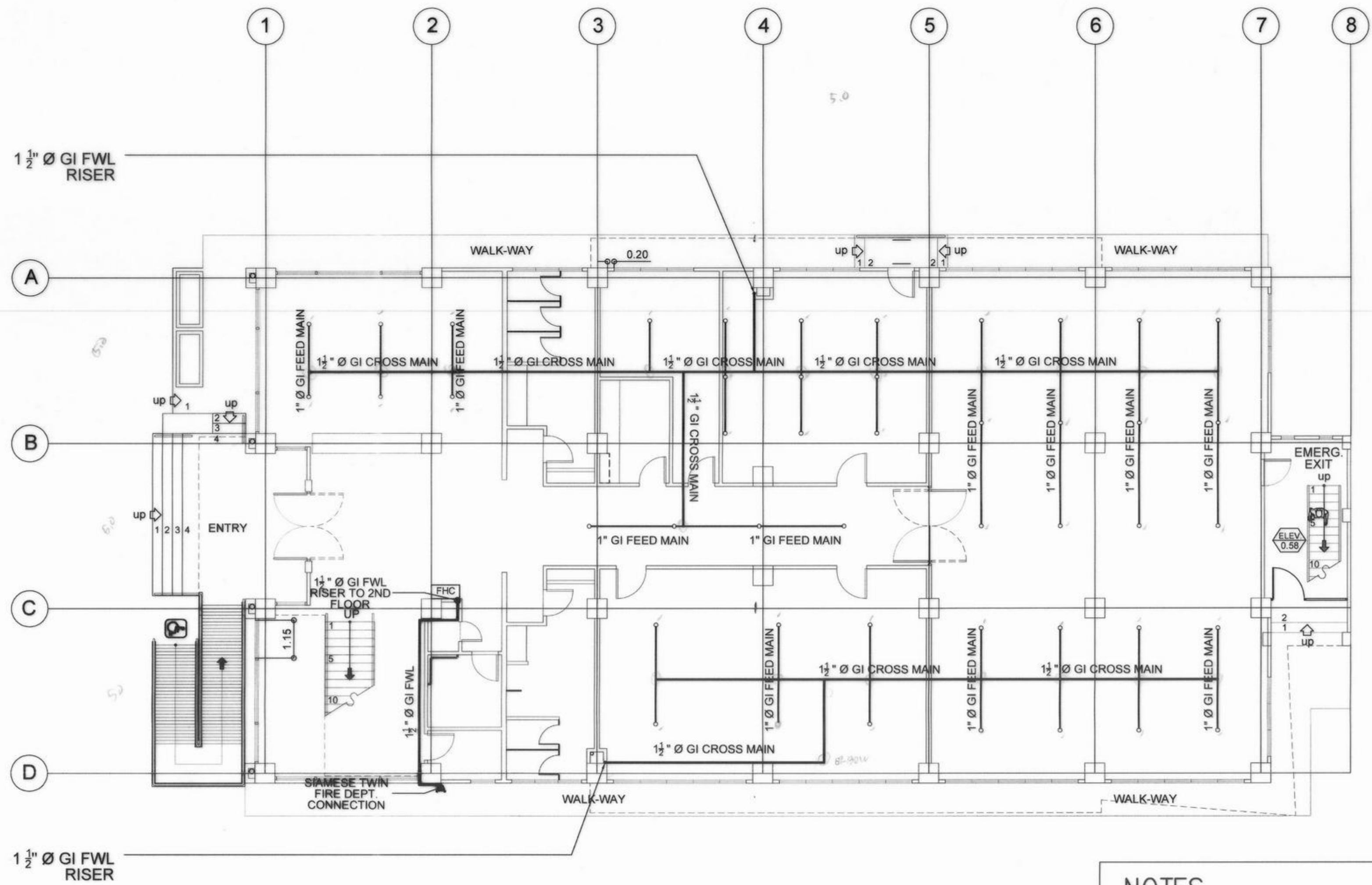
REVIEWED:
PIO MARIO T. LACASTESANTOS
CHIEF, BRIDGE & OTHER PUBLIC WORKS DESIGN SECTION

SUBMITTED:
SATURNINO C. TORREFRANCA
DISTRICT ENGINEER
OIC - CHIEF, PLANNING & DESIGN DIVISION

RECOMMENDED:
KHADAFFY D. TANGGOL
ASSISTANT REGIONAL DIRECTOR

APPROVED:
CAYAMOMBAO D. DIA, CESO IV
REGIONAL DIRECTOR

SET NO.  SHEET NO.: **P-2**
27 / **68**



GROUND FLOOR FIRE PROTECTION LAYOUT
SCALE 1:100 M

NOTES

ALL FIRE WATER LINES SHALL BE OF G.I SCHEDULE 40.

ALL FIRE WATER LINES AND STANDPIPES SHALL BE PAINTED WITH WITH RED OXIDE PRIMER FOR ITS FIRST COATING AND INTERNATIONAL RED ENAMEL PAINT ON ITS SECOND COATING.

LEGEND

- SPRINKLER HEAD
- ▲ SIAMESE TWIN
- 1 1/2 Ø CROSS MAIN
- 1 Ø FEED MAIN
- 1 1/2 Ø DRY STANDPIPE
- FHC FIRE HOSE CABINET

<p>REPUBLIC OF THE PHILIPPINES COMMISSION ON AUDIT REGIONAL OFFICE NO. IX CABATANGAN, ZAMBOANGA CITY</p>	<p>RECOMMENDING APPROVAL :</p> <p>VISITACION Q. MENDOZA DIRECTOR IV - REGIONAL DIRECTOR</p>		<p>APPROVED (BY THE AURORITY OF THE CHAIRPERSON):</p> <p>AMELIA P. VALDEZ DIRECTOR IV - GENERAL SERVICES OFFICE</p>		<p>LORNA D. CABOCHAN ASSISTANT COMMISSIONER - ADMINISTRATION SECTOR</p>			
	<p>PROJECT & LOCATION:</p> <p>COA REGIONAL OFFICE NO. IX TRAINING CENTER AND DORMITORY BUILDING CABATANGAN, ZAMBOANGA CITY</p>	<p>SHEET CONTENT:</p> <p>GROUND FLOOR FIRE - PROTECTION LAYOUT NOTES AND LEGEND</p>	<p>PREPARED:</p> <p><i>AR-RAN A. SALUAN</i> AR-RAN A. SALUAN ENGINEERING AIDE REGISTERED SANITARY ENGINEER</p>	<p>REVIEWED:</p> <p><i>PIO MARIO T. LACASTESANTOS</i> PIO MARIO T. LACASTESANTOS ENGINEER III CHIEF, BRIDGE & OTHER PUBLIC WORKS DESIGN SECTION</p>	<p>SUBMITTED:</p> <p><i>SATURNINO C. TORREFRANCA</i> SATURNINO C. TORREFRANCA DISTRICT ENGINEER OIC - CHIEF, PLANNING & DESIGN DIVISION</p>	<p>RECOMMENDED:</p> <p><i>KHADAFFY D. TANGGOL</i> KHADAFFY D. TANGGOL ASSISTANT REGIONAL DIRECTOR</p>	<p>APPROVED:</p> <p><i>CAYAMOMBAO D. DIA</i> CAYAMOMBAO D. DIA, CESO IV REGIONAL DIRECTOR</p>	<p>SET NO.</p> <p>○</p>